



# Am28F020

## 262,144 x 8-Bit CMOS Flash Memory

### DISTINCTIVE CHARACTERISTICS

- **High performance**
  - 90 ns maximum access time
- **CMOS Low power consumption**
  - 30 mA maximum active current
  - 100  $\mu$ A maximum standby current
  - No Data Retention Power
- **Compatible with JEDEC-standard byte-wide 32-Pin EPROM pinouts**
  - 32-pin DIP
  - 32-pin PLCC
  - 32-Pin TSOP
- **10,000 erase/program cycles minimum**
- **Program and erase voltage 12.0 V +5%**
- **Latch-up protected to 100 mA from –1 V to  $V_{cc} +1$  V**
- **Flasherase™ or Embedded Erase™ Electrical Bulk Chip-Erase**
  - Two second typical chip-erase
- **Flashrite™ or Embedded Program™**
  - 10  $\mu$ s typical byte-program
  - Less than 3 seconds typical chip program
- **Command register architecture for microprocessor/microcontroller compatible write interface**
- **On-chip address and data latches**
- **Advanced CMOS flash memory technology**
  - Low cost single transistor memory cell
- **Embedded algorithms for completely self-timed program/erase operations**
- **Automatic program/erase pulse stop timer**

### GENERAL DESCRIPTION

The Am28F020 is a 2 Megabit Flash memory organized as 256K bytes of 8 bits each. AMD's Flash memories offer the most cost-effective and reliable read/write non-volatile random access memory. The Am28F020 is packaged in 32-pin PDIP and PLCC versions. The device is also offered in the ceramic DIP package. It is designed to be reprogrammed and erased in-system or in standard EPROM programmers.

The standard Am28F020 offers access times as fast as 90 ns, allowing operation of high-speed microprocessors without wait states. To eliminate bus contention, the Am28F020 has separate chip enable ( $\overline{CE}$ ) and output enable ( $\overline{OE}$ ) controls.

AMD's Flash memories augment EPROM functionality with in-circuit electrical erasure and programming. The Am28F020 uses a command register to manage this functionality, while maintaining a standard 32-pin pinout. The command register allows for 100% TTL level control inputs and fixed power supply levels during erase and programming, while maintaining maximum EPROM compatibility.

AMD's Flash technology reliably stores memory contents even after 10,000 erase and program cycles. The AMD cell is designed to optimize the erase and programming mechanisms. In addition, the combination of advanced tunnel oxide processing and low internal electric fields for erase and programming operations produces reliable cycling. The Am28F020 uses a 12.0 V +5%  $V_{PP}$  supply to perform the Flasherase and Flashrite algorithms.

The highest degree of latch-up protection is achieved with AMD's proprietary non-epi process. Latch-up protection is provided for stresses up to 100 milliamps on address and data pins from –1 V to  $V_{cc} +1$  V.

#### Embedded Program

The Am28F020 is byte programmable using 10  $\mu$ s programming pulses in accordance with AMD's Flashrite programming algorithm. The device may also be programmed using the Embedded Programming algorithm. The Embedded Programming algorithm does not require the system to time-out or verify the data programmed. The typical room temperature programming time of the Am28F020 is less than three seconds.

#### Embedded Erase

The entire chip is bulk erased using 10 ms erase pulses according to AMD's Flasherase algorithm. Typical erasure at room temperature is accomplished in less than two seconds. The device may also be erased using the Embedded Erase algorithm. The Embedded Erase algorithm automatically programs the entire array prior to electrical erase. The timing and verification of electrical erase are controlled internal to the device.

AMD's Am28F020 is entirely pin and software compatible with existing AMD Flash memories. The availability of the Embedded Program and Erase algorithms does not preclude the use of standard Flashrite and Flasherase algorithms. Thus AMD's devices are always backwards compatible with existing designs.

**Embedded Programming Algorithm vs. Flashrite Programming Algorithm**

The Flashrite Programming algorithm requires the user to write a program set-up command, a program command (program data and address), and a program verify command followed by a read and compare operation. The user is required to time the programming pulse width in order to issue the program verify command. An integrated stop timer prevents any possibility of over-programming. Upon completion of this sequence the data is read back from the device and compared by the user with the data intended to be written; if there is not a match, the sequence is repeated until there is a match or the sequence has been repeated 25 times.

AMD's Embedded Programming algorithm requires the user to only write a program set-up command and a program command (program data and address). The device automatically times the programming pulse width, provides the program verify and counts the number of sequences. A status bit, similar to data polling, provides feedback to the user as to the status of the programming operation.

**Embedded Erase Algorithm vs. Flasherase Erase Algorithm**

The Flasherase Erase algorithm requires the device to be completely programmed prior to executing an erase command. To invoke the erase operation the user writes an erase set-up command, an erase command, and an erase verify command. The user is required to time the erase pulse width in order to issue the erase verify command. An integrated stop timer prevents any possibility of overerasure. Upon completion of this sequence the data is read back from the device and compared by the

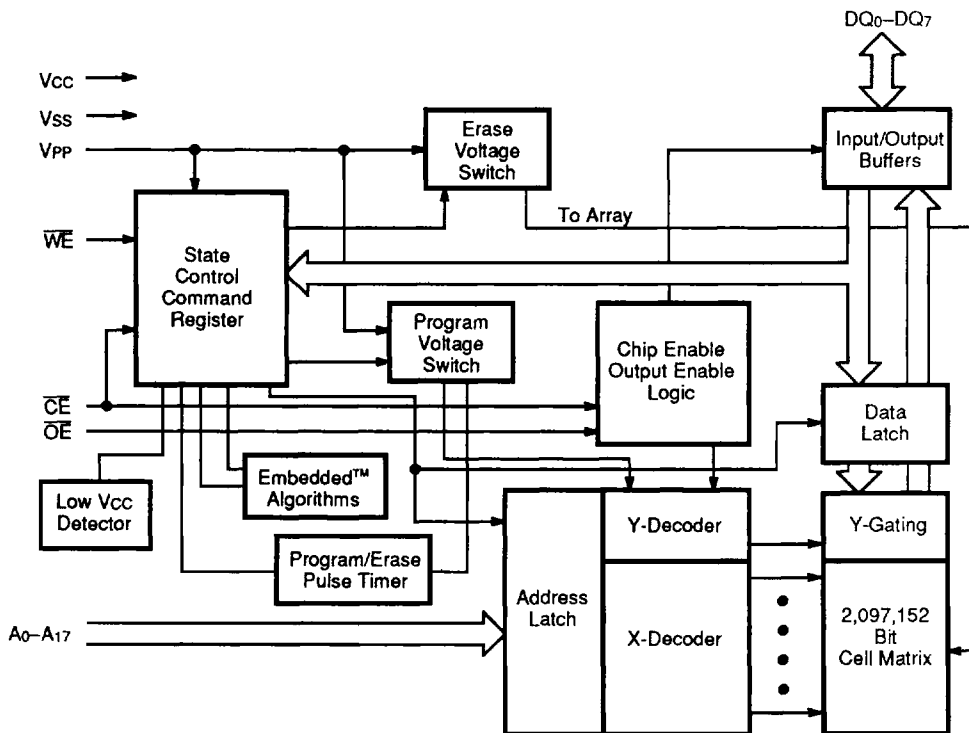
user with erased data. If there is not a match, the sequence is repeated until there is a match or the sequence has been repeated 1,000 times.

AMD's Embedded Erase algorithm requires the user to only write an erase set-up command and erase command. The device will automatically pre-program and verify the entire array. Then the device automatically times the erase pulse width, provides the erase verify and counts the number of sequences. A status bit, similar to data polling, provides feedback to the user as to the status of the erase operation.

Commands are written to the command register using standard microprocessor write timings. Register contents serve as inputs to an internal state-machine which controls the erase and programming circuitry. During write cycles, the command register internally latches address and data needed for the programming and erase operations. For system design simplification, the Am28F020 is designed to support either  $\overline{WE}$  or  $\overline{CE}$  controlled writes. During a system write cycle, addresses are latched on the falling edge of  $\overline{WE}$  or  $\overline{CE}$  whichever occurs last. Data is latched on the rising edge of  $\overline{WE}$  or  $\overline{CE}$  whichever occurs first. To simplify the following discussion, the  $\overline{WE}$  pin is used as the write cycle control pin throughout the rest of this text. All setup and hold times are with respect to the  $\overline{WE}$  signal.

AMD's Flash technology combines years of EPROM and EEPROM experience to produce the highest levels of quality, reliability, and cost effectiveness. The Am28F020 electrically erases all bits simultaneously using Fowler-Nordheim tunneling. The bytes are programmed one byte at a time using the EPROM programming mechanism of hot electron injection.

**BLOCK DIAGRAM**



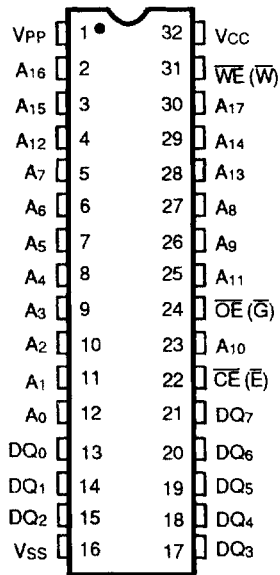
14727-001B

**PRODUCT SELECTOR GUIDE**

Family Part No.	Am28F020			
Ordering part No:				
+ 10% Vcc Tolerance	-90	-120	-150	-200
+ 5% Vcc Tolerance	-95			
Max Access Time (ns)	90	120	150	200
CE (E) Access (ns)	90	120	150	200
OE (G) Access (ns)	35	50	75	75

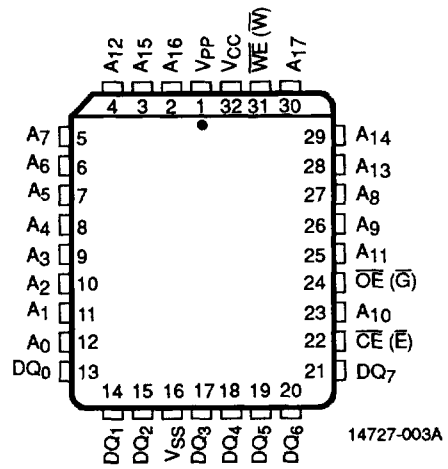
CONNECTION DIAGRAMS

DIP



14727-002A

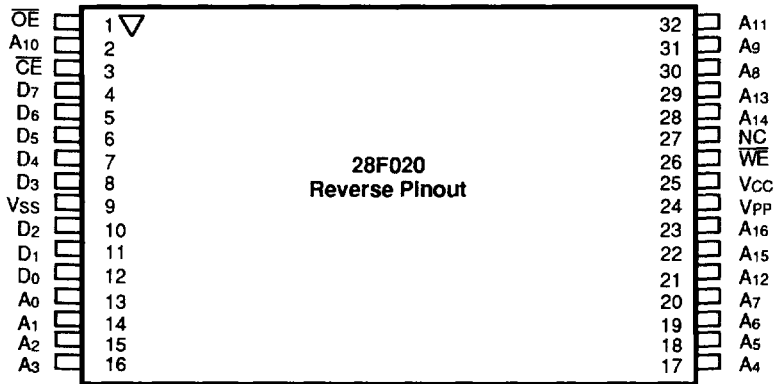
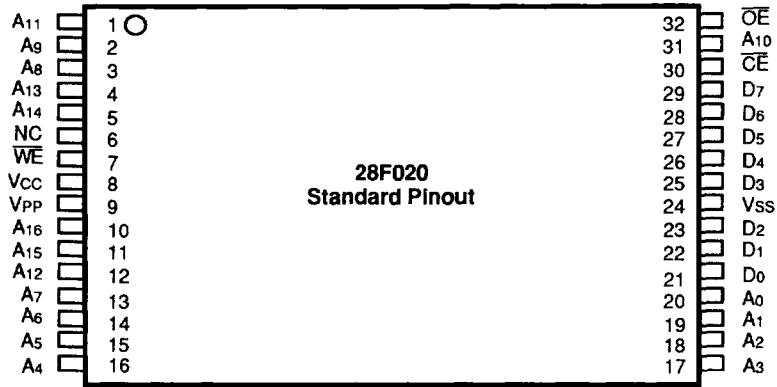
PLCC



14727-003A

**Note:** Pin 1 is marked for orientation.

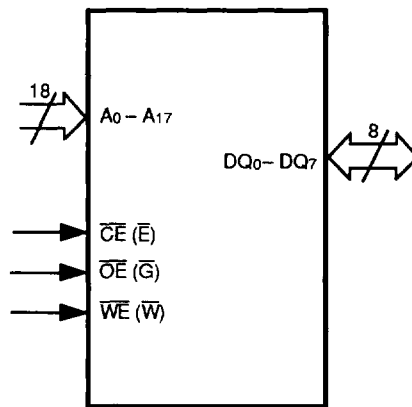
TSOP PACKAGES\*



\*In development

28F020 256K x 8 Flash Memory in 32 Lead TSOP

LOGIC SYMBOL



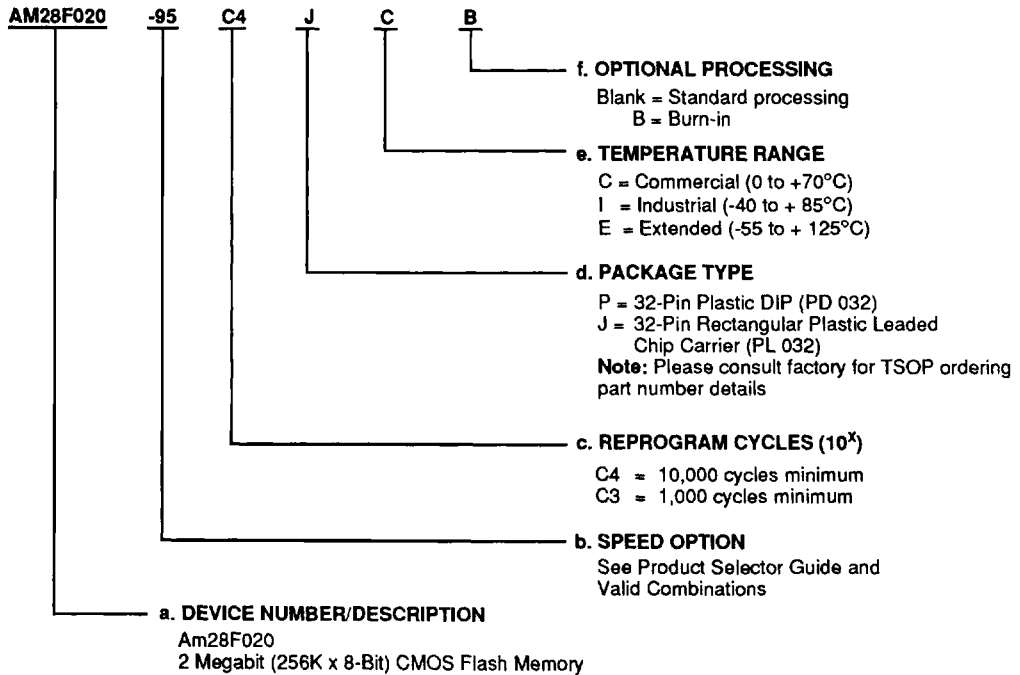
11559-004A

**ORDERING INFORMATION**

**Standard Products**

AMD standard products are available in several packages and operating ranges. The ordering number (Valid Combination) is formed by a combination of:

- a. Device Number
- b. Speed Option
- c. Reprogram Cycles
- d. Package Type
- e. Temperature Range
- f. Optional Processing



Valid Combinations	
AM28F020-90	C4PC, C4JC,
AM28F020-95	C3PC, C3JC,
AM28F020-120	C4PC, C4PI, C4JC,
AM28F020-150	C4JI, C4PE, C4PEB,
AM28F020-200	C4JE, C4JEB, C3PC,
	C3PI, C3JC, C3JI

**Valid Combinations**

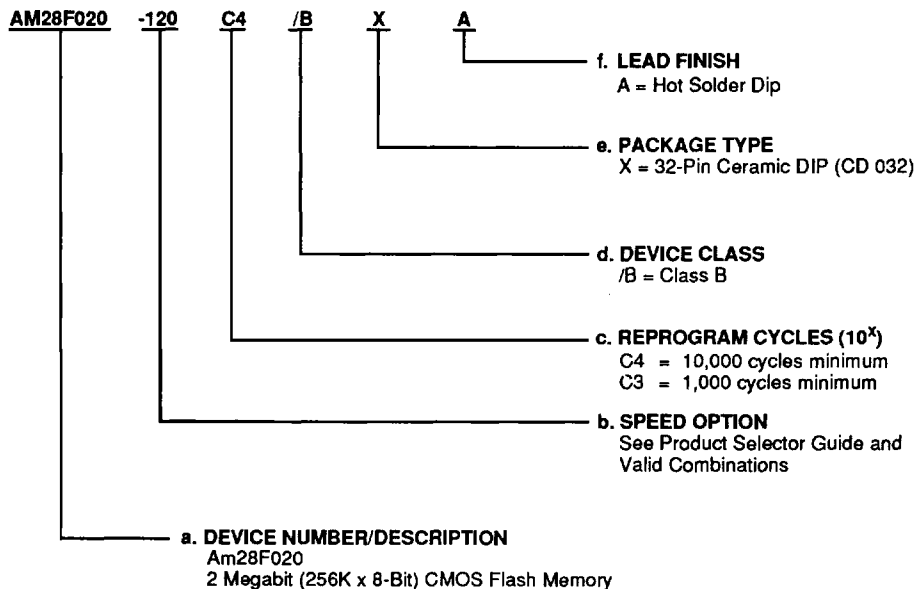
Valid Combinations list configurations planned to be supported in volume for this device. Consult the local AMD sales office to confirm availability of specific valid combinations and to check on newly released combinations.

## ORDERING INFORMATION

## APL Products

AMD products for Aerospace and Defense applications are available in several packages and operating ranges. APL (Approved Products List) products are fully compliant with MIL-STD-883C requirements. The order number (Valid Combination) is formed by a combination of:

- a. Device Number
- b. Speed Option
- c. Reprogram cycles
- d. Device Class
- e. Package Type
- f. Lead Finish



Valid Combinations	
AM28F020-120	C4/BXA C3/BXA
AM28F020-150	
AM28F020-170	
AM28F020-200	

## Valid Combinations

Valid Combinations list configurations planned to be supported in volume for this device. Consult the local AMD sales office to confirm availability of specific valid combinations and to check on newly released combinations.

## Group A Tests

Group A tests consist of Subgroups 1, 2, 3, 7, 8, 9, 10, 11.

**PIN DESCRIPTION****V<sub>PP</sub>**

Power supply for erase and programming. V<sub>PP</sub> must be at high voltage in order to write to the command register. The command register controls all functions required to alter the memory array contents. Memory contents cannot be altered when V<sub>PP</sub> ≤ V<sub>CC</sub> + 2V.

**V<sub>CC</sub>**

Power supply for device operation. (5.0 V + 5% or 10%)

**V<sub>SS</sub>**

Ground

**NC**

No Connect—corresponding pin is not connected internally to the die.

**A<sub>0</sub> – A<sub>17</sub>**

Address Inputs for memory locations. Internal latches hold addresses during write cycles.

**DQ<sub>0</sub> – DQ<sub>7</sub>**

Data Inputs during memory write cycles. Internal latches hold data during write cycles. Data Outputs during memory read cycles.

 **$\overline{\text{CE}}$  ( $\overline{\text{E}}$ )**

The Chip Enable active low input activates the chip's control logic and input buffers. Chip Enable high will deselect the device and operates the chip in stand-by mode.

 **$\overline{\text{OE}}$  ( $\overline{\text{G}}$ )**

The Output Enable active low input gates the outputs of the device through the data buffers during memory read cycles.

 **$\overline{\text{WE}}$  ( $\overline{\text{W}}$ )**

The Write Enable active low input controls the write function of the command register to the memory array. The target address is latched on the falling edge of the Write Enable pulse and the appropriate data is latched on the rising edge of the pulse.



## BASIC PRINCIPLES

The Am28F020 uses 100% TTL-level control inputs to manage the command register. Erase and reprogramming operations use a fixed 12.0V + 5% power supply.

### Read Only Memory

Without high  $V_{PP}$  voltage, the Am28F020 functions as a read only memory and operates like a standard EPROM. The control inputs still manage traditional read, standby, output disable, and Auto select modes.

### Command Register

The command register is enabled only when high voltage is applied to the  $V_{PP}$  pin. The erase and reprogramming operations are only accessed via the register. In addition, two-cycle commands are required for erase and reprogramming operations. The traditional read, standby, output disable, and Auto select modes are available via the register.

The Am28F020's command register is written using standard microprocessor write timings. The register controls an internal state machine that manages all device operations. For system design simplification, the Am28F020 is designed to support either  $\overline{WE}$  or  $\overline{CE}$  controlled writes. During a system write cycle, addresses are latched on the falling edge of  $\overline{WE}$  or  $\overline{CE}$  whichever occurs last. Data is latched on the rising edge of  $\overline{WE}$  or  $\overline{CE}$  whichever occur first. To simplify the following discussion, the  $\overline{WE}$  pin is used as the write cycle control pin throughout the rest of this text. All setup and hold times are with respect to the  $\overline{WE}$  signal.

## Overview of Erase/Program Operations

### Flasherase™ Sequence

A multiple step command sequence is required to erase the Flash device (a two-cycle Erase command and repeated one cycle verify commands).

#### Note:

*The Flash memory array must be completely programmed prior to erasure. Refer to the Flasherase Algorithm.*

1. **Set-up Erase:** Write the Set-up Erase command to the command register.
2. **Erase:** Write the Erase command (same as Set-up Erase command) to the command register again. The second command initiates the erase operation. The system software routines must now time-out the erase pulse width (10 ms) prior to issuing the Erase-verify command. An integrated stop timer prevents any possibility of overerasure.
3. **Erase-verify:** Write the Erase-verify command to the command register. This command terminates the erase operation. After the erase operation, each byte of the array must be verified. Address information must be supplied with the Erase-verify com-

mand. This command verifies the margin and outputs the addressed byte in order to compare the array data with FFH data (Byte erased). After successful data verification the Erase-verify command is written again with new address information. Each byte of the array is sequentially verified in this manner.

If data of the addressed location is not verified, the Erase sequence is repeated until the entire array is successfully verified or the sequence is repeated 1000 times.

### Embedded Programming Algorithm

AMD now makes programming extremely simple and reliable. The Embedded Programming algorithm requires the user to only write a program set-up command and a program command. The device automatically times the programming pulse width, provides the program verify and counts the number of sequences. A status bit, similar to data polling, provides feedback to the user as to the status of the programming operation.

### Flashrite Programming Sequence

A three step command sequence (a two-cycle Program command and one cycle Verify command) is required to program a byte of the Flash array. Refer to the Flashrite Algorithm.

1. **Set-up Program:** Write the Set-up Program command to the command register.
2. **Program:** Write the Program command to the command register with the appropriate Address and Data. The system software routines must now time-out the program pulse width (10  $\mu$ s) prior to issuing the Program-verify command. An integrated stop timer prevents any possibility of overprogramming.
3. **Program-verify:** Write the Program-verify command to the command register. This command terminates the programming operation. In addition, this command verifies the margin and outputs the byte just programmed in order to compare the array data with the original data programmed. After successful data verification, the programming sequence is initiated again for the next byte address to be programmed.

If data is not verified, the Program sequence is repeated until a successful comparison is verified or the sequence is repeated 25 times.

### Embedded Erase Algorithm

AMD now makes erasure extremely simple and reliable. The Embedded Erase algorithm requires the user to only write and erase set-up command and erase command. The device will automatically pre-program and verify the entire array. The device automatically times the erase pulse width, provides the erase verify and counts the number of sequences. A status bit, similar to data polling, provides feedback to the user as to the status of the erase operation.

**Data Write Protection**

The Am28F020 is designed to offer protection against accidental erasure or programming, caused by spurious system level signals that may exist during power transitions. The Am28F020 powers up in the read only state irregardless of the state of V<sub>PP</sub>. If V<sub>PP</sub> = V<sub>PP<sub>L</sub></sub> then the device contents cannot be altered. If V<sub>PP</sub> = V<sub>PP<sub>H</sub></sub> the device still powers up in the read mode. In addition, the control register only allows alteration of the memory contents after successful completion of the two step write command sequence. Also, all register write commands are

inhibited whenever V<sub>CC</sub> is below the write lockout voltage V<sub>LKO</sub>.

**Noise Protection**

All control pins ( $\overline{CE}$ ,  $\overline{WE}$  and  $\overline{OE}$ ) ignore any pulse widths of less than 10 ns duration.

**Power Up/Power Down Protection**

To avoid initiation of an inadvertent write cycle during V<sub>CC</sub> and V<sub>PP</sub> power transitions, the device always powers up in the Read mode. Power supply sequencing is not required.

**FUNCTIONAL DESCRIPTION**

**Description Of User Modes**

Table 1. Am28F020 User Bus Operations

Operation		$\overline{CE}$ ( $\overline{E}$ )	$\overline{OE}$ ( $\overline{G}$ )	$\overline{WE}$ ( $\overline{W}$ )	V <sub>PP</sub> (Note 1)	A <sub>0</sub>	A <sub>9</sub>	I/O
Read-Only	Read	V <sub>IL</sub>	V <sub>IL</sub>	X	V <sub>PP<sub>L</sub></sub>	A <sub>0</sub>	A <sub>9</sub>	DOUT
	Standby	V <sub>IH</sub>	X	X	V <sub>PP<sub>L</sub></sub>	X	X	HIGH Z
	Output Disable	V <sub>IL</sub>	V <sub>IH</sub>	V <sub>IH</sub>	V <sub>PP<sub>L</sub></sub>	X	X	HIGH Z
	Auto-select Manufacturer Code (Note 2)	V <sub>IL</sub>	V <sub>IL</sub>	V <sub>IH</sub>	V <sub>PP<sub>L</sub></sub>	V <sub>IL</sub>	V <sub>ID</sub> (Note 3)	CODE (01H)
	Auto-select Device Code (Note 2)	V <sub>IL</sub>	V <sub>IL</sub>	V <sub>IH</sub>	V <sub>PP<sub>L</sub></sub>	V <sub>IH</sub>	V <sub>ID</sub> (Note 3)	CODE (2AH)
Read/Write	Read	V <sub>IL</sub>	V <sub>IL</sub>	V <sub>IH</sub>	V <sub>PP<sub>H</sub></sub>	A <sub>0</sub>	A <sub>9</sub>	DOUT (Note 4)
	Standby (Note 5)	V <sub>IH</sub>	X	X	V <sub>PP<sub>H</sub></sub>	X	X	HIGH Z
	Output Disable	V <sub>IL</sub>	V <sub>IH</sub>	V <sub>IH</sub>	V <sub>PP<sub>H</sub></sub>	X	X	HIGH Z
	Write	V <sub>IL</sub>	V <sub>IH</sub>	V <sub>IL</sub>	V <sub>PP<sub>H</sub></sub>	A <sub>0</sub>	A <sub>9</sub>	D <sub>IN</sub> (Note 6)

**Legend:**

X = Don't care, where Don't Care is either V<sub>IL</sub> or V<sub>IH</sub> levels, V<sub>PP<sub>L</sub></sub> = V<sub>PP</sub> < V<sub>CC</sub> + 2V, See DC Characteristics for voltage levels of V<sub>PP<sub>H</sub></sub>, 0V < A<sub>n</sub> < V<sub>CC</sub> + 2V, (normal TTL or CMOS input levels, where n = 0 or 9).

**Notes:**

1. V<sub>PP<sub>L</sub></sub> may be grounded, connected with a resistor to ground, or ≤ V<sub>CC</sub> + 2.0V. V<sub>PP<sub>H</sub></sub> is the programming voltage specified for the device. Refer to the DC characteristics. When V<sub>PP</sub> = V<sub>PP<sub>L</sub></sub>, memory contents can be read but not written or erased.
2. Manufacturer and device codes may also be accessed via a command register write sequence. Refer to Table 2.
3. 11.5 ≤ V<sub>ID</sub> ≤ 13.0V
4. Read operation with V<sub>PP</sub> = V<sub>PP<sub>H</sub></sub> may access array data or the Auto select codes.
5. With V<sub>PP</sub> at high voltage, the standby current is I<sub>CC</sub> + I<sub>PP</sub> (standby).
6. Refer to Table 3 for valid D<sub>IN</sub> during a write operation.
7. All inputs are Don't Care unless otherwise stated, where Don't Care is either V<sub>IL</sub> or V<sub>IH</sub> levels. In the Auto select mode all addresses except A<sub>9</sub> and A<sub>0</sub> must be held at V<sub>IL</sub>.

## READ ONLY MODE

$$V_{PP} < V_{CC} + 2V$$

### Command Register Inactive

#### Read

The Am28F020 functions as a read only memory when  $V_{PP} < V_{CC} + 2V$ . The Am28F020 has two control functions. Both must be satisfied in order to output data.  $\overline{CE}$  controls power to the device. This pin should be used for specific device selection.  $\overline{OE}$  controls the device outputs and should be used to gate data to the output pins if a device is selected.

Address access time  $t_{ACC}$  is equal to the delay from stable addresses to valid output data. The chip enable access time  $t_{CE}$  is the delay from stable addresses and stable  $\overline{CE}$  to valid data at the output pins. The output enable access time is the delay from the falling edge of  $\overline{OE}$  to valid data at the output pins (assuming the addresses have been stable at least  $t_{ACC} - t_{OE}$ ).

#### Standby Mode

The Am28F020 has two standby modes. The CMOS standby mode ( $\overline{CE}$  input held at  $V_{CC} \pm 0.5V$ ), consumes less than 100  $\mu A$  of current. TTL standby mode ( $\overline{CE}$  is held at  $V_{IH}$ ) reduces the current requirements to less than 1mA. When in the standby mode the outputs are in a high impedance state, independent of the  $\overline{OE}$  input.

If the device is deselected during erasure, programming, or program/erase verification, the device will draw active current until the operation is terminated.

#### Output Disable

Output from the device is disabled when  $\overline{OE}$  is at a logic high level. When disabled, output pins are in a high impedance state.

#### Auto Select

Flash memories can be programmed in-system or in a standard PROM programmer. The device may be soldered to the circuit board upon receipt of shipment and programmed in-system. Alternatively, the device may initially be programmed in a PROM programmer prior to soldering the device to the board.

The Auto select mode allows the reading out of a binary code from the device that will identify its manufacturer and type. This mode is intended for the purpose of automatically matching the device to be programmed with its corresponding programming algorithm. This mode is functional over the entire temperature range of the device.

#### Programming In A PROM Programmer

To activate this mode, the programming equipment must force  $V_{ID}$  (11.5V to 13.0V) on address  $A_9$ . Two identifier bytes may then be sequenced from the device outputs by toggling address  $A_0$  from  $V_{IL}$  to  $V_{IH}$ . All other address lines must be held at  $V_{IL}$ , and  $V_{PP}$  must be less than or equal to  $V_{CC} + 2.0V$  while using this Auto select mode. Byte 0 ( $A_0 = V_{IL}$ ) represents the manufacturer code and byte 1 ( $A_0 = V_{IH}$ ) the device identifier code. For the Am28F020 these two bytes are given in the table below. All identifiers for manufacturer and device codes will exhibit odd parity with the MSB ( $DQ_7$ ) defined as the parity bit.

(Refer to the AUTO SELECT paragraph in the ERASE, PROGRAM, and READ MODE section for programming the Flash memory device in-system).

Table 2. Am28F020 Auto Select Code

Type	$A_0$	Code (HEX)	$DQ_7$	$DQ_6$	$DQ_5$	$DQ_4$	$DQ_3$	$DQ_2$	$DQ_1$	$DQ_0$
Manufacturer Code	$V_{IL}$	01	0	0	0	0	0	0	0	1
Device Code	$V_{IH}$	2A	0	0	1	0	1	0	1	0

**ERASE, PROGRAM, AND READ MODE****V<sub>PP</sub> = 12.0 V ± 5%****Command Register Active****Write Operations**

High voltage must be applied to the V<sub>PP</sub> pin in order to activate the command register. Data written to the register serves as input to the internal state machine. The output of the state machine determines the operational function of the device.

The command register does not occupy an addressable memory location. The register is a latch that stores the command, along with the address and data information needed to execute the command. The register is written by bringing  $\overline{WE}$  and  $\overline{CE}$  to V<sub>IL</sub>, while  $\overline{OE}$  is at V<sub>IH</sub>. Addresses are latched on the falling edge of  $\overline{WE}$ , while data is latched on the rising edge of the  $\overline{WE}$  pulse. Standard microprocessor write timings are used.

Register bits R<sub>7</sub>–R<sub>0</sub> correspond to the data inputs DQ<sub>7</sub>–DQ<sub>0</sub> (Refer to Table 3). Register bits R<sub>7</sub>–R<sub>5</sub> store the command data. All register bits R<sub>4</sub> to R<sub>0</sub> must be zero. The only exceptions are: the reset command, when FFH is written to the register and Auto select, when 90H or 80H is written to the register.

The device requires the  $\overline{OE}$  pin to be V<sub>IH</sub> for write operations. This condition eliminates the possibility for bus contention during programming operations. In order to write,  $\overline{OE}$  must be V<sub>IH</sub>, and  $\overline{CE}$  and  $\overline{WE}$  must be V<sub>IL</sub>. If any

pin is not in the correct state a write command will not be executed.

Refer to AC Write Characteristics and the Erase/Programming Waveforms for specific timing parameters.

**Command Definitions**

The contents of the command register default to 00H (Read Mode) in the absence of high voltage applied to the V<sub>PP</sub> pin. The device operates as a read only memory. High voltage on the V<sub>PP</sub> pin enables the command register. Device operations are selected by writing specific data codes into the command register. Table 4 defines these register commands.

**Read Command**

Memory contents can be accessed via the read command when V<sub>PP</sub> is high. To read from the device, write 00H into the command register. Wait 6 μs before reading the first accessed address location. All subsequent Read operations take t<sub>acc</sub>. Standard microprocessor read cycles access data from the memory. The device will remain in the read mode until the command register contents are altered.

The command register defaults to 00H (read mode) upon V<sub>PP</sub> power-up. The 00H (Read Mode) register default helps ensure that inadvertent alteration of the memory contents does not occur during the V<sub>PP</sub> power transition. Refer to the AC Read Characteristics and Waveforms for the specific timing parameters.

**Table 3. Command Register**

Data Input/Output	DQ <sub>7</sub>	DQ <sub>6</sub>	DQ <sub>5</sub>	DQ <sub>4</sub>	DQ <sub>3</sub>	DQ <sub>2</sub>	DQ <sub>1</sub>	DQ <sub>0</sub>
Command Register	R <sub>7</sub>	R <sub>6</sub>	R <sub>5</sub>	R <sub>4</sub>	R <sub>3</sub>	R <sub>2</sub>	R <sub>1</sub>	R <sub>0</sub>
Data/Commands (Notes 1, 2)	X	X	X	X	X	X	X	X

**Notes:**

1. See Table 4 Am28F020 Command Definitions
2. X = Appropriate Data or Register Commands

Table 4. Am28F020 Command Definitions

Command	First Bus Cycle			Second Bus Cycle		
	Operation (Note 1)	Address (Note 2)	Data (Note 3)	Operation (Note 1)	Address (Note 2)	Data (Note 3)
Read Memory (Notes 6, 7)	Write	X	00H/FFH	Read	RA	RD
Read Auto select	Write	X	80H or 90H	Read	00H/01H	01H/2AH
Set-up Erase/Erase (Note 4)	Write	X	20H	Write	X	20H
Erase-Verify (Note 4)	Write	EA	A0H	Read	X	EVD
Set-up Program/Program (Note 5)	Write	X	40H	Write	PA	PD
Program-Verify (Note 5)	Write	X	C0H	Read	X	PVD
Embedded Set-up Erase/Embedded Erase	Write	X	30H	Write	X	30H
Embedded Set-up Program/Embedded Program	Write	X	50H	Write	PA	PD
Reset (Note 7)	Write	X	FFH	Write	X	FFH

**Notes:**

1. Bus operations are defined in Table 1.
2. RA = Address of the memory location to be read.  
EA = Address of the memory location to be read during erase-verify.  
PA = Address of the memory location to be programmed.  
Addresses are latched on the falling edge of the  $\overline{WE}$  pulse.
3. RD = Data read from location RA during read operation.  
EVD = Data read from location EA during erase-verify.  
PD = Data to be programmed at location PA. Data latched on the rising edge of  $\overline{WE}$ .  
PVD = Data read from location PA during program-verify. PA is latched on the Program command.
4. Figure 1 illustrates the Flasherase Electrical Erase Algorithm.
5. Figure 2 illustrates the Flashrite Programming Algorithm.
6. Wait 6  $\mu$ s after first Read command before accessing the data. When the second bus command is a Read command, all subsequent Read operations take  $t_{acc}$ .
7. Please reference Reset Command section on page 5–110.

## FLASH MEMORY PROGRAM/ERASE OPERATIONS

Section I: Details AMD's Flasherase and Flashrite Algorithms

Section II: Details AMD's Embedded Program and Erase Operations

### Section I: Details AMD's Flasherase and Flashrite Algorithms

#### Flasherase Erase Sequence

##### Set-up Erase/Erase Commands

###### *Set-up Erase*

Set-up Erase is the first of a two-cycle erase command. It is a command-only operation that stages the device for bulk chip erase. The array contents are not altered with this command. 20H is written to the command register in order to perform the Set-up Erase operation.

###### *Erase*

The second two-cycle erase command initiates the bulk erase operation. You must write the Erase command (20H) again to the register. The erase operation begins with the rising edge of the  $\overline{WE}$  pulse. The erase operation must be terminated by writing a new command (Erase-verify) to the register.

This two step sequence of the Set-up and Erase commands helps to ensure that memory contents are not accidentally erased. Also, chip erasure can only occur when high voltage is applied to the  $V_{pp}$  pin and all control pins are in their proper state. In absence of this high voltage, memory contents cannot be altered. Refer to AC Erase Characteristics and Waveforms for specific timing parameters.

###### *Note:*

*The Flash memory device must be fully programmed to 00H data prior to erasure. This equalizes the charge on all memory cells ensuring reliable erasure.*

##### Erase-verify Command

The erase operation erases all bytes of the array in parallel. After the erase operation, all bytes must be sequentially verified.

The Erase-verify operation is initiated by writing A0H to the register. The byte address to be verified must be supplied with the command. Addresses are latched on the falling edge of the  $\overline{WE}$  pulse. The rising edge of the  $\overline{WE}$  pulse terminates the erase operation.

###### *Margin Verify*

During the Erase-verify operation, the Am28F020 applies an internally generated margin voltage to the addressed byte. Reading FFH from the addressed byte indicates that all bits in the byte are properly erased.

###### *Verify Next Address*

You must write the Erase-verify command with the appropriate address to the register prior to verification of each address. Each new address is latched on the falling edge of  $\overline{WE}$ . The process continues for each byte in the memory array until a byte does not return FFH data or all the bytes in the array are accessed and verified.

If an address is not verified to FFH data, the entire chip is erased again (refer to Set-up Erase/Erase). Erase verification then resumes at the address that failed to verify. Erase is complete when all bytes in the array have been verified. The device is now ready to be programmed. At this point, the verification operation is terminated by writing a valid command (e.g. Program set-up) to the command register. Figure 1 and Table 5, the Flasherase electrical erase algorithm, illustrate how commands and bus operations are combined to perform electrical erasure. Refer to AC Erase Characteristics and Waveforms for specific timing parameters.

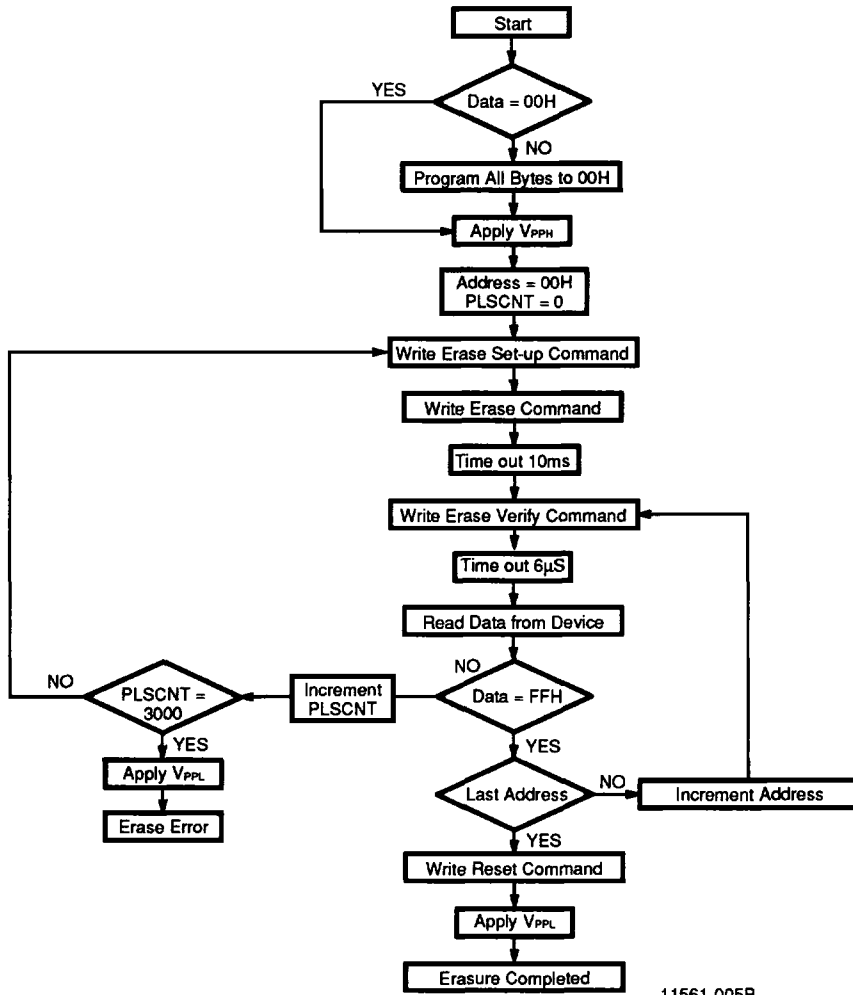


Figure 1. Flasherase Electrical Erase Algorithm

## Flasherase Electrical Erase Algorithm

This Flash memory device erases the entire array in parallel. The erase time depends on  $V_{PP}$ , temperature, and number of erase/program cycles on the device. In general, reprogramming time increases as the number of erase/program cycles increases.

The Flasherase electrical erase algorithm employs an interactive closed loop flow to simultaneously erase all bits in the array. Erasure begins with a read of the memory contents. The Am28F020 is erased when shipped from the factory. Reading FFH data from the device would immediately be followed by executing the Flashrite programming algorithm with the appropriate data pattern.

Should the device be currently programmed, data other than FFH will be returned from address locations. Follow the Flasherase algorithm. Uniform and reliable erasure is ensured by first programming all bits in the device to their charged state (Data = 00H). This is ac-

complished using the Flashrite Programming algorithm. Erasure then continues with an initial erase operation. Erase verification (Data = FFH) begins at address 0000H and continues through the array to the last address, or until data other than FFH is encountered. If a byte fails to verify, the device is erased again. With each erase operation, an increasing number of bytes verify to the erased state. Typically, devices are erased in less than 200 pulses (2 seconds). Erase efficiency may be improved by storing the address of the last byte that fails to verify in a register. Following the next erase operation, verification may start at the stored address location. A total of 1000 erase operations are allowed per reprogram cycle, which corresponds to approximately 10 seconds of cumulative erase time. Erasure typically occurs in one second. The entire sequence of erase and byte verification is performed with high voltage applied to the  $V_{PP}$  pin. Figure 1 illustrates the electrical erase algorithm.

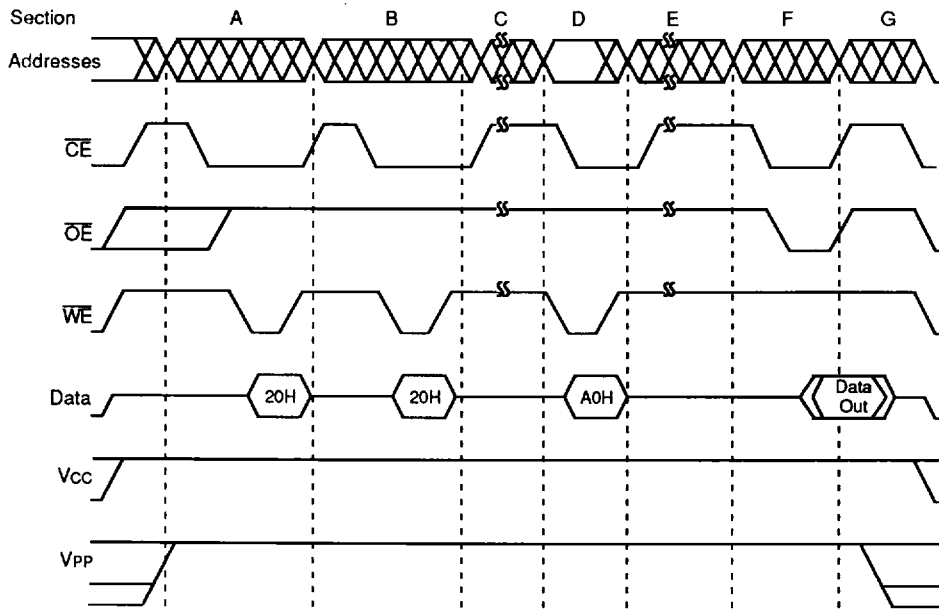
Table 5. Flasherase Electrical Erase Algorithm

Bus Operations	Command	Comments
		Entire memory must = 00H before erasure (Note 3) <b>Note:</b> Use Flashrite programming algorithm (Figure 2) for programming.
Standby		Wait for $V_{PP}$ ramp to $V_{PPH}$ (Note 1) Initialize: Addresses PLSCNT (Pulse count)
Write	Set-Up Erase	Data = 20H
Write	Erase	Data = 20H
Standby		Duration of Erase Operation ( $t_{WHWH2}$ )
Write	Erase-verify (Note 2)	Address = Byte to Verify Data = A0H Stops Erase Operation
Standby		Write Recovery Time before Read = 6 $\mu$ s
Read		Read byte to verify erasure
Standby		Compare output to FFH Increment pulse count
Write	Reset	Data = FFH, reset the register for read operations.
Standby		Wait for $V_{PP}$ ramp to $V_{PPL}$ (Note 1)

### Notes:

1. See DC Characteristics for value of  $V_{PPH}$  or  $V_{PPL}$ . The  $V_{PP}$  power supply can be hard-wired to the device or switchable. When  $V_{PP}$  is switched,  $V_{PPL}$  may be ground, no connect with a resistor tied to ground, or less than  $V_{CC} + 2.0V$ .
2. Erase Verify is performed only after chip erasure. A final read compare may be performed (optional) after the register is written with the read command.
3. The erase algorithm **Must Be Followed** to ensure proper and reliable operation of the device.





11561-006A

	A	B	C	D	E	F	G
Bus Cycle	Write	Write	Time-out	Write	Time-out	Read	Stand by
Command	20H	20H	N/A	A0H	N/A	Compare Data	N/A
Function	Set-up Erase	Erase	Erase (10ms)	Erase-verify	Transition (6µs)	Erase verification	Stand by & Vcc Power down

Figure 2. A.C. Waveforms For Erase Operations

**Analysis of Erase Timing Waveform**

**Note:**

This analysis does not include the requirement to program the entire array to 00H data prior to erasure. Refer to the Flasherase algorithm.

**Set-up Erase/Erase**

This analysis illustrates the use of two-cycle erase commands (section A & B). The first erase command (20H) is a set-up command and does not affect the array data (section A). The second erase command (20H) initiates the erase operation (section B) on the rising edge of this WE pulse. All bytes of the memory array are erased in parallel. No address information is required.

The erase pulse occurs in section C.

**Time-out**

A software timing routine (10 ms duration) must be initiated on the rising edge of the WE pulse of section B. An integrated stop timer prevents any possibility of over-erasure.

**Note:**

An integrated stop timer prevents any possibility of over-erasure.

**Erase-verify**

Upon completion of the erase software timing routine, the microprocessor must write the Erase-verify command (A0H). This command terminates the erase operation on the rising edge of the WE pulse (section D). The Erase-verify command also stages the device for data verification (section F).

After each erase operation each byte must be verified. The byte address to be verified must be supplied with the Erase-verify command (section D). Addresses are latched on the falling edge of the WE pulse.

Another software timing routine (6 µs duration) must be executed to allow for generation of internal voltages for margin checking and read operation (section E).

During Erase-verification (section F) each address that returns FFH data is successfully erased. Each address of the array is sequentially verified in this manner by repeating sections D thru F until the entire array is verified or an address fails to verify. Should an address location fail to verify to FFH data, erase the device again. Repeat sections A thru F. Resume verification (section D) with the failed address.

Each data change sequence allows the device to use up to 1,000 erase pulses to completely erase. Typically 200 erase pulses are required.

**Notes:**

1. All address locations must be programmed to 00H prior to erase. This equalizes the charge on all memory cells and ensures reliable erasure.

## Flashrite Programming Sequence

### Set-up Program/Program Command

#### Set-up Program

The Am28F020 is programmed byte by byte. Bytes may be programmed sequentially or at random. Set-up Program is the first of a two-cycle program command. It stages the device for byte programming. The Set-up Program operation is performed by writing 40H to the command register.

#### Program

Only after the program set-up operation is completed will the next  $\overline{WE}$  pulse initiate the active programming operation. The appropriate address and data for programming must be available on the second  $\overline{WE}$  pulse. Addresses and data are internally latched on the falling and rising edge of the  $\overline{WE}$  pulse respectively. The rising edge of  $\overline{WE}$  also begins the programming operation. You must write the Program-verify command to terminate the programming operation. This two step sequence of the Set-up and Program commands helps to ensure that memory contents are not accidentally written. Also, programming can only occur when high voltage is applied to the  $V_{PP}$  pin and all control pins are in their proper state. In absence of this high voltage, memory contents cannot be programmed.

Refer to AC Characteristics and Waveforms for specific timing parameters.

#### Program Verify Command

Following each programming operation, the byte just programmed must be verified.

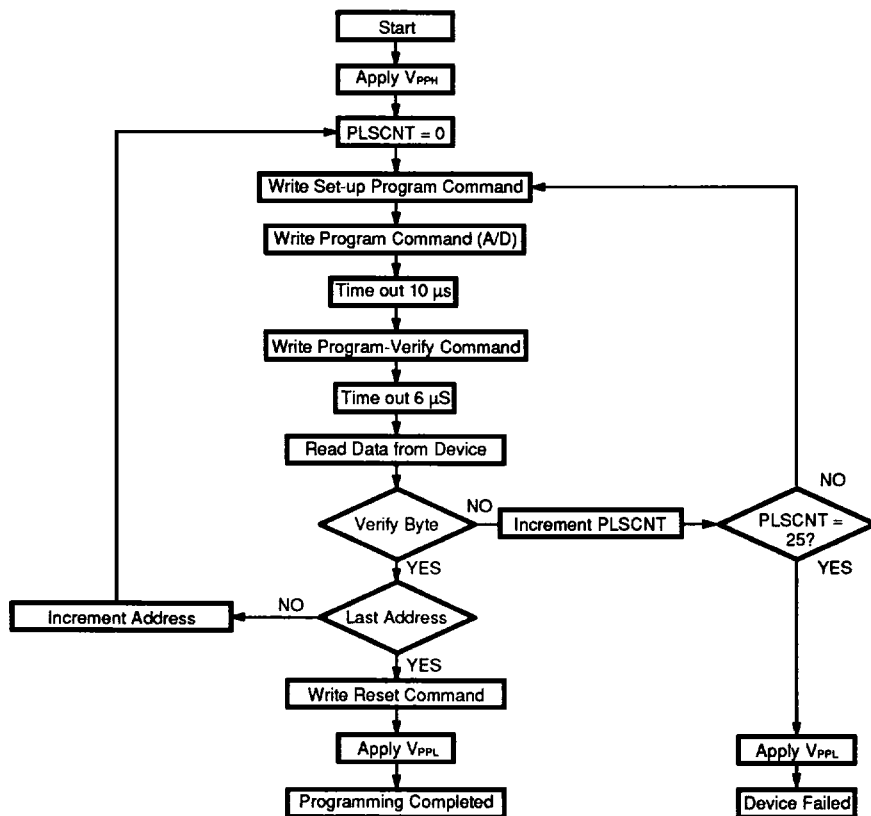
Write C0H into the command register in order to initiate the Program-verify operation. The rising edge of this  $\overline{WE}$  pulse terminates the programming operation. The Program-verify operation stages the device for verification of the last byte programmed. Addresses were previously latched. No new information is required.

#### Margin Verify

During the Program-verify operation, the Am28F020 applies an internally generated margin voltage to the addressed byte. A normal microprocessor read cycle outputs the data. A successful comparison between the programmed byte and the true data indicates that the byte was successfully programmed. The original programmed data should be stored for comparison. Programming then proceeds to the next desired byte location. Should the byte fail to verify, reprogram (refer to Set-up Program/Program). Figure 3 and Table 6 indicate how instructions are combined with the bus operations to perform byte programming. Refer to AC Programming Characteristics and Waveforms for specific timing parameters.

#### Flashrite Programming Algorithm

The Am28F020 Flashrite Programming algorithm employs an interactive closed loop flow to program data byte by byte. Bytes may be programmed sequentially or at random. The Flashrite Programming algorithm uses 10 microsecond programming pulses. Each operation is followed by a byte verification to determine when the addressed byte has been successfully programmed. The program algorithm allows for up to 25 programming operations per byte per reprogramming cycle. Most bytes verify after the first or second pulse. The entire sequence of programming and byte verification is performed with high voltage applied to the  $V_{PP}$  pin. Figure 3 and Table 6 illustrate the programming algorithm.



11561-007A

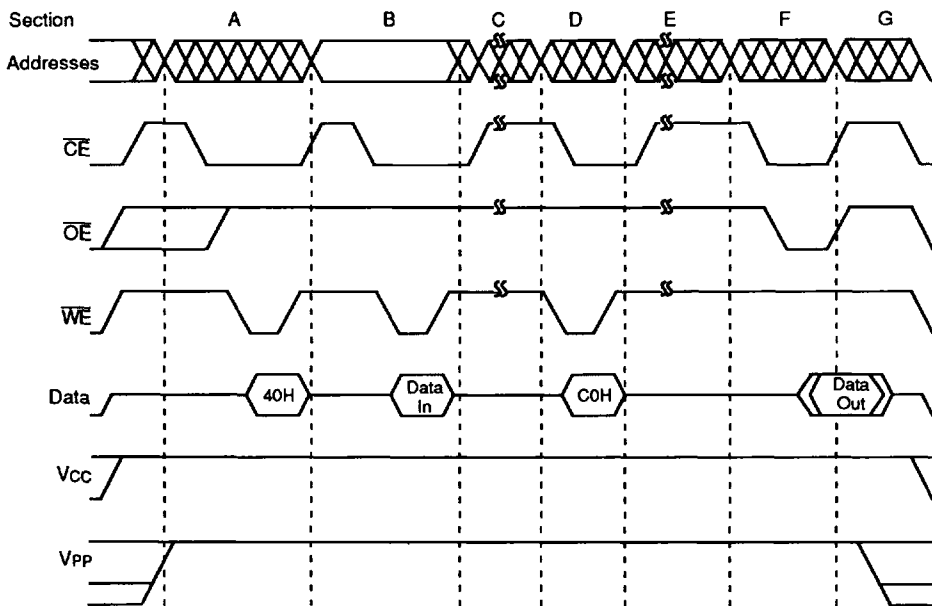
Figure 3. Flashrite Programming Algorithm

Table 6. Flashrite Programming Algorithm

Bus Operations	Command	Comments
Standby		Wait for Vpp ramp to VppH (Note 1) Initialize pulse counter
Write	Set-Up Program	Data = 40H
Write	Program	Valid Address/Data
Standby		Duration of Programming Operation (t <sub>WHWH1</sub> )
Write	Program-Verify (2)	Data = C0H Stops Program Operation
Standby		Write Recovery Time before Read = 6 μs
Read		Read byte to verify programming
Standby		Compare data output to data expected
Write	Reset	Data = FFH, resets the register for read operations.
Standby		Wait for Vpp ramp to VpPL (Note 1)

Notes:

- See DC Characteristics for value of VppH. The Vpp power supply can be hard-wired to the device or switchable. When Vpp is switched, VpPL may be ground, no connect with a resistor tied to ground, or less than Vcc + 2.0V.
- Program Verify is performed only after byte programming. A final read/compare may be performed (optional) after the register is written with the read command.



	A	B	C	D	E	F	G
Bus Cycle	Write	Write	Time-out	Write	Time-out	Read	Stand by
Command	40H	Program Address, Program Data	N/A	C0H (Stops Program)	N/A	Compare Data	N/A
Function	Set-up Program	Program Command Latch Address & Data	Program (10 $\mu$ s)	Program verify	Transition (6 $\mu$ s)	Program verification	Stand by & Vcc Power down

11561-008A

Figure 4. A.C. Waveforms for Programming Operations

**Analysis Of Program Timing Waveforms**

**Set-up Program/Program**

Two-cycle write commands are required for program operations (section A & B). The first program command (40H) is a set-up command and does not affect the array data (section A). The second program command latches address and data required for programming on the falling and rising edge of  $\overline{WE}$  respectively (section B). The rising edge of this  $\overline{WE}$  pulse (section B) also initiates the programming pulse. The device is programmed on a byte by byte basis either sequentially or randomly.

The program pulse occurs in section C.

**Time-out**

A software timing routine (10  $\mu$ s duration) must be initiated on the rising edge of the  $\overline{WE}$  pulse of section B.

**Note:**

An integrated stop timer prevents any possibility of over-programming.

**Program-verify**

Upon completion of the program timing routine, the microprocessor must write the program-verify command (C0H). This command terminates the programming operation on the rising edge of the  $\overline{WE}$  pulse (section D). The program-verify command also stages the device for data verification (section F). Another software timing routine (6  $\mu$ s duration) must be executed to allow for generation of internal voltages for margin checking and read operations (section E).

During program-verification (section F) each byte just programmed is read to compare array data with original program data. When successfully verified, the next desired address is programmed. Should a byte fail to verify, reprogram the byte (repeat section A thru F). Each data change sequence allows the device to use up to 25 program pulses per byte. Typically, bytes are verified within one or two pulses.

## Section II: Details AMD's Embedded Program and Erase Operations

### Embedded Erase Algorithm

The automatic chip erase does not require the device to be entirely pre-programmed prior to executing the Embedded set-up erase command and Embedded erase command. Upon executing the Embedded erase command the device automatically will program and verify the entire memory for an all zero data pattern. The system is not required to provide any controls or timing during these operations.

When the device is automatically verified to contain an all zero pattern, a self-timed chip erase and verify begin. The erase and verify operation are complete when the data on DQ7 is "1" (see Write Operation Status section) at which time the device returns to Read mode. The system is not required to provide any control or timing during these operations.

When using the Embedded Erase algorithm, the erase automatically terminates when adequate erase margin

has been achieved for the memory array (no erase verify command is required). The margin voltages are internally generated in the same manner as when the standard erase verify command is used.

The Embedded set-up erase command is a command only operation that stages the device for automatic electrical erasure of all bytes in the array. Embedded set-up erase is performed by writing 30H to the command register.

To commence automatic chip erase, the command 30H must be written again to the command register. The automatic erase begins on the rising edge of the  $\overline{WE}$  and terminates when the data on DQ7 is "1" (see Write Operation Status section) at which time the device returns to Read mode.

Figure 5 and Table 7 illustrate the Embedded Erase algorithm, a typical command string and bus operations.

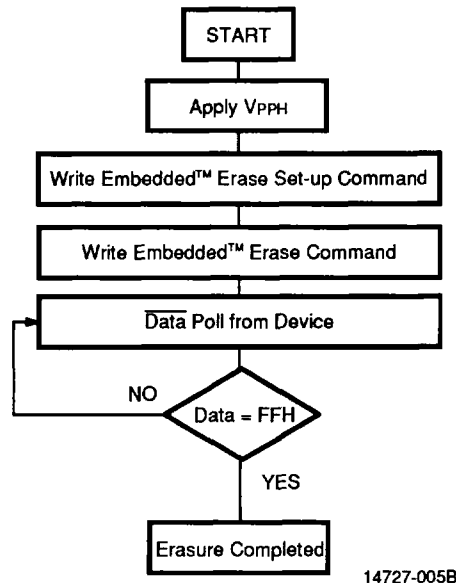


Figure 5. Embedded™ Erase Algorithm

Table 7. Embedded Erase Algorithm

Bus Operations	Command	Comments
Standby		Wait for V <sub>PP</sub> Ramp to V <sub>PPH</sub> (1)
Write	Embedded Erase Set-up Command	Data = 30H
Write	Embedded Erase Command	Data = 30H
Read		Data Polling to Verify Erasure
Standby		Compare Output to FFH
Read		Available for Read Operations

**Note:**

- See DC Characteristics for value of V<sub>PPL</sub>. The V<sub>PP</sub> power supply can be hard-wired to the device or switchable. When V<sub>PP</sub> is switched, V<sub>PPL</sub> may be ground, no connect with a resistor tied to ground, or less than V<sub>CC</sub> + 2.0 V. Refer to Principles of Operation.

**Embedded Programming Algorithm**

The Embedded Set-up Program is a command only operation that stages the device for automatic programming. Embedded Set-up Program is performed by writing 50H to the command register.

Once the Embedded Set-up Program operation is performed, the next  $\overline{WE}$  pulse causes a transition to an active programming operation. Addresses are internally latched on the falling edge of the  $\overline{WE}$  pulse. Data is internally latched on the rising edge of the  $\overline{WE}$  pulse. The ris-

ing edge of  $\overline{WE}$  also begins the programming operation. The system is not required to provide further controls or timings. The device will automatically provide an adequate internally generated program pulse and verify margin. The automatic programming operation is completed when the data on DQ7 is equivalent to data written to this bit (see Write Operation Status section) at which time the device returns to Read mode (no program verify command is required).

Figure 6 and Table 8 illustrate the Embedded Program algorithm, a typical command string, and bus operation.

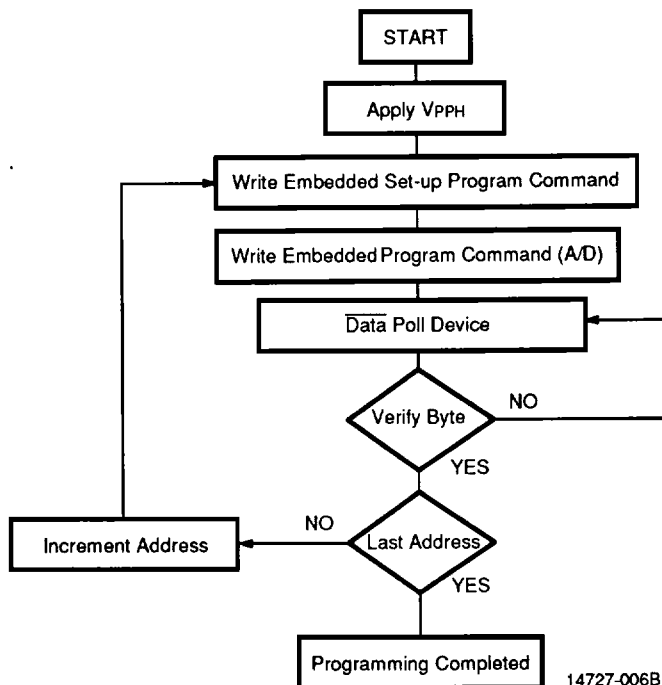


Figure 6. Embedded Programming Algorithm

**Table 8. Embedded Programming Algorithm**

Bus Operations	Command	Comments
Standby		Wait for V <sub>PP</sub> Ramp to V <sub>PPH</sub> (1)
Write	Embedded Erase Set-up Program Command	Data = 50H
Write	Embedded Program Command	Valid Address/Data
Read		Data Polling to Verify Erasure
Standby		Compare Output to FFH
Read		Available for Read Operations

**Note:**

1. See DC Characteristics for value of V<sub>PPH</sub>. The V<sub>PP</sub> power supply can be hard-wired to the device or switchable. When V<sub>PP</sub> is switched, V<sub>PPL</sub> may be ground, no connect with a resistor tied to ground, or less than V<sub>CC</sub> + 2.0 V. Refer to Principles of Operation. Device is either powered-down, erase inhibit or program inhibit.

**Write Operation Status**

**Data Polling—DQ7**

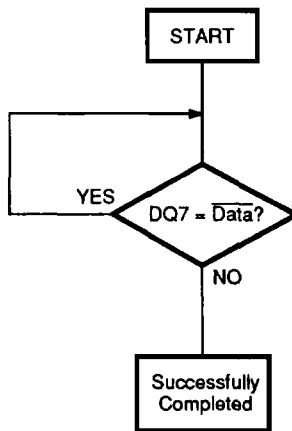
The Am28F020 features  $\overline{\text{Data}}$  Polling as a method to indicate to the host system that the Embedded algorithms are either in progress or completed.

While the Embedded Programming algorithm is in operation, an attempt to read the device will produce the compliment data of the data last written to DQ7. Upon completion of the Embedded Program algorithm an attempt to read the device will produce the true data last written to DQ7. The  $\overline{\text{Data}}$  Polling feature is valid after the rising edge of the second  $\overline{\text{WE}}$  pulse of the two write pulse sequence.

While the Embedded Erase algorithm is in operation, DQ7 will read "0" until the erase operation is completed. Upon completion of the erase operation, the data on DQ7 will read "1". The  $\overline{\text{Data}}$  Polling feature is valid after the rising edge of the second  $\overline{\text{WE}}$  pulse of the two Write pulse sequence.

The  $\overline{\text{Data}}$  Polling feature is only active during Embedded Programming or erase algorithms.

See Figure 7a and 8 for the  $\overline{\text{Data}}$  Polling timing specifications and diagrams.



14727-007B

**Figure 7a.  $\overline{\text{Data}}$  Polling Algorithm**

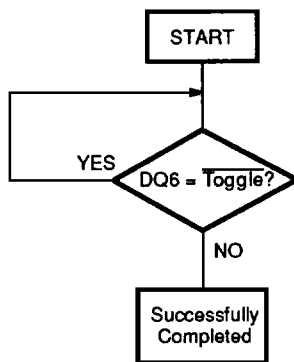
**Toggle Bit—DQ6**

The Am28F020 also features a "Toggle Bit" as a method to indicate to the host system that the Embedded algorithms are either in progress or completed.

While the Embedded Program or Erase algorithm is in progress, successive attempts to read data from the device will result in DQ6 toggling between one and zero. Once the Embedded Program or Erase algorithm is

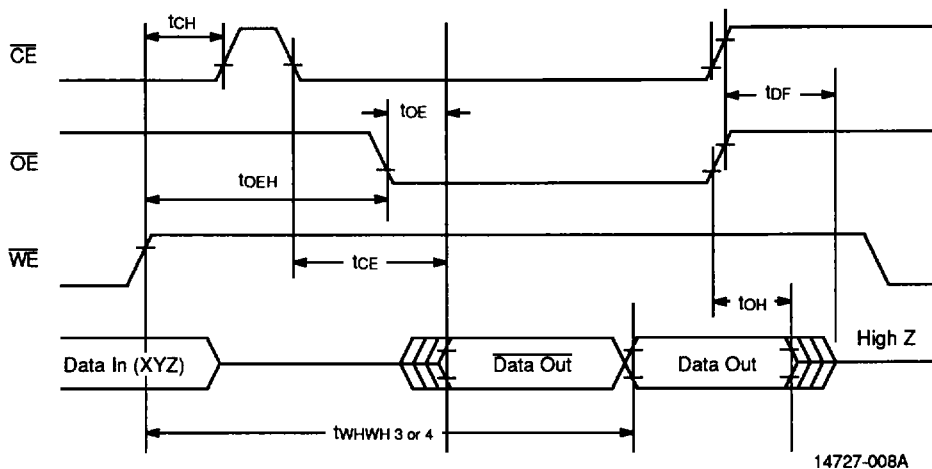
completed, DQ6 will stop toggling and valid data will be read. The toggle bit is valid after the rising edge of the first  $\overline{WE}$  pulse of the two write pulse sequence, unlike  $\overline{Data}$  Polling which is valid after the rising edge of the second  $\overline{WE}$  pulse. This feature allows the user to determine if the device is partially through the two write pulse sequence.

See 7b and 8 for the  $\overline{Data}$  Polling timing specifications and diagrams.



14727-011B

**Figure 7b. Toggle Bit Algorithm**



14727-008A

**Figure 8. AC Waveforms for  $\overline{Data}$  Polling and Toggle Bit during Embedded Algorithm Operations**



### Algorithm Timing Delays

There are four different timing delays associated with the Flasherase and Flashrite algorithms:

1. The first delay is associated with the  $V_{PP}$  rise-time when  $V_{PP}$  first turns on. The capacitors on the  $V_{PP}$  bus cause an RC ramp. After switching on the  $V_{PP}$ , the delay required is proportional to the number of devices being erased and the  $0.1\mu\text{F}/\text{device}$ .  $V_{PP}$  must reach its final value 100ns before commands are executed.
2. The second delay time is the erase time pulse width (10 ms). A software timing routine should be run by the local microprocessor to time out the delay. The erase operation must be terminated at the conclusion of the timing routine or prior to executing any system interrupts that may occur during the erase operation. To ensure proper device operation, write the Erase-verify operation after each pulse, or the device may continue to erase until the memory cells are driven into depletion (over-erasure). Should this happen the internal circuitry will no longer select unique addresses. A symptom of over-erasure is an error attempting to program the next time. Occasionally it is possible to recover over-erased devices by programming all of the locations with 00H data.
3. A third delay time is required for each programming pulse width (10  $\mu\text{s}$ ). The programming algorithm is interactive and verifies each byte after a program pulse. The program operation must be terminated at the conclusion of the timing routine or prior to executing any system interrupts that may occur during the programming operation.
4. A fourth timing delay associated with both the Flasherase and Flashrite algorithms is the write recovery time (6  $\mu\text{s}$ ). During this time internal circuitry is changing voltage levels from the erase/ program level to those used for margin verify and read operations. An attempt to read the device during this period will result in possible false data (it may appear the device is not properly erased or programmed).

#### Note:

*Software timing routines should be written in machine language for each of the delays. Code written in machine language requires knowledge of the appropriate microprocessor clock speed in order to accurately time each delay.*

### Parallel Device Erasure

Many applications will use more than one Flash memory device. Total erase time may be minimized by imple-

menting a parallel erase algorithm. Flash memories may erase at different rates. Therefore each device must be verified separately. When a device is completely erased and verified use a masking code to prevent further erasure. The other devices will continue to erase until verified. The masking code applied could be the read command (00H).

### Power-up Sequence

#### $V_{CC}$ Prior to $V_{PP}$

The Am28F020 powers-up in the Read only mode. In addition, the memory contents may only be altered after successful completion of a two step command sequence.

#### $V_{PP}$ Prior to $V_{CC}$

When  $V_{CC} = 0\text{ V}$ , the  $V_{PP}$  voltage is internally disabled from the device. Memory contents cannot be altered. With  $V_{PP} = 12\text{ V}$ , the Flash device resets to the Read mode when  $V_{CC}$  rises above 2 V.

Power supply sequencing is not required.

### Reset Command

The Reset command initializes the Flash memory device to the Read mode. In addition, it also provides the user with a safe method to abort any device operation (including program or erase).

The Reset command must be written two consecutive times after the set-up Program command (40H). This will reset the device to the Read mode.

Following any other Flash command, write the Reset command once to the device. This will safely abort any previous operation and initialize the device to the Read mode.

The set-up Program command (40H) is the only command that requires a two sequence reset cycle. The first Reset command is interpreted as program data. However, FFH data is considered null data during programming operations (memory cells are only programmed from a logical "1" to "0"). The second Reset command safely aborts the programming operation and resets the device to the Read mode.

Memory contents are not altered in any case.

This detailed information is for your reference. It may prove easier to always issue the Reset command two consecutive times. This eliminates the need to determine if you are in the set-up Program state or not.

**Auto Select Command**

Flash memories can be programmed in-system or in a standard PROM programmer. The device may be soldered to the circuit board upon receipt of shipment and programmed in-system. Alternatively, the device may initially be programmed in a PROM programmer prior to soldering the device to the board.

***Programming In-system***

AMD's Flash memories are designed for use in applications where the local CPU alters memory contents. Accordingly, manufacturer and device codes must be accessible while the device resides in the target system. PROM programmers typically access the signature

codes by raising  $A_9$  to a high voltage. However, multiplexing high voltage onto address lines is not a generally desired system design practice.

The Am28F020 contains an Auto Select operation to supplement traditional PROM programming methodology. The operation is initiated by writing 80H or 90H into the command register. Following this command, a read cycle address 0000H retrieves the manufacturer code of 01H. A read cycle from address 0001H returns the device code 2AH (See Table 2). To terminate the operation, it is necessary to write another valid command into the register (See Table 3).

**ABSOLUTE MAXIMUM RATINGS**

Storage Temperature	
Ceramic Packages	– 65°C to +150°C
Plastic Packages	– 65°C to +125°C
Ambient Temperature with Power Applied	– 55°C to +125°C
Voltage with Respect To Ground	
All pins except A <sub>9</sub> and V <sub>PP</sub> (Note 1)	– 2.0 V to +7.0 V
V <sub>CC</sub> (Note 1)	– 2.0 V to +7.0 V
A <sub>9</sub> (Note 2)	– 2.0 V to +14.0 V
V <sub>PP</sub> (Note 2)	– 2.0 V to +14.0 V
Output Short Circuit Current (Note 3)	200 mA

**Notes:**

1. *Minimum DC voltage on input or I/O pins is –0.5 V. During voltage transitions, inputs may overshoot V<sub>SS</sub> to –2.0 V for periods of up to 20 ns. Maximum DC voltage on output and I/O pins is V<sub>CC</sub> + 0.5 V. During voltage transitions, outputs may overshoot to V<sub>CC</sub> + 2.0 V for periods up to 20 ns.*
2. *Minimum DC input voltage on A<sub>9</sub> and V<sub>PP</sub> pins is –0.5V. During voltage transitions, A<sub>9</sub> and V<sub>PP</sub> may overshoot V<sub>SS</sub> to –2.0 V for periods of up to 20 ns. Maximum DC input voltage on A<sub>9</sub> and V<sub>PP</sub> is +13.5 V which may overshoot to 14.0 V for periods up to 20 ns.*
3. *No more than one output shorted at a time. Duration of the short circuit should not be greater than one second. Conditions equal V<sub>OUT</sub> = 0.5 V or 5.0 V, V<sub>CC</sub> = V<sub>CC</sub> max. These values are chosen to avoid test problems caused by tester ground degradation. This parameter is sampled and not 100% tested, but guaranteed by characterization.*

*Stresses above those listed under “Absolute Maximum Ratings” may cause permanent damage to the device. This is a stress rating only; functional operation of the device at these or any other conditions above those indicated in the operational sections of this specification is not implied. Exposure of the device to absolute maximum rating conditions for extended periods may affect device reliability.*

**OPERATING RANGES****Commercial (C) Devices**

Case Temperature (T <sub>c</sub> )	0°C to +70°C
------------------------------------	--------------

**Industrial (I) Devices**

Case Temperature (T <sub>c</sub> )	– 40°C to +85°C
------------------------------------	-----------------

**Extended (E) Devices**

Case Temperature (T <sub>c</sub> )	– 55°C to +125°C
------------------------------------	------------------

**Military (M) Devices**

Case Temperature (T <sub>c</sub> )	– 55°C to +125°C
------------------------------------	------------------

**V<sub>CC</sub> Supply Voltages**

V <sub>CC</sub> for Am28F020–X5	+ 4.75 V to +5.25 V
---------------------------------	---------------------

V <sub>CC</sub> for Am28F020–XX0	+ 4.50 V to +5.50 V
----------------------------------	---------------------

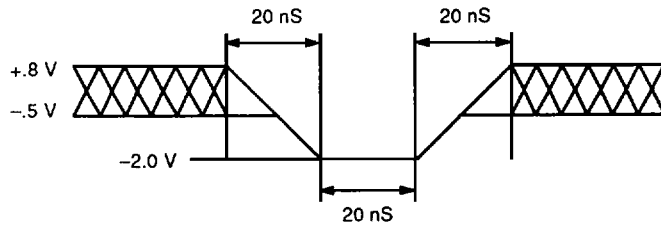
**V<sub>PP</sub> Supply Voltages**

Read	– 0.5 V to +12.6 V
------	--------------------

Program, Erase, and Verify	+ 11.4 V to +12.6 V
----------------------------	---------------------

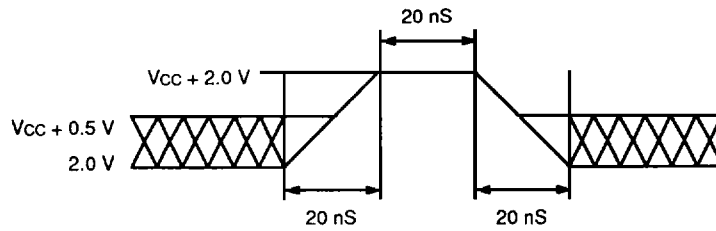
**MAXIMUM OVERSHOOT**

**Maximum Negative Input Overshoot**



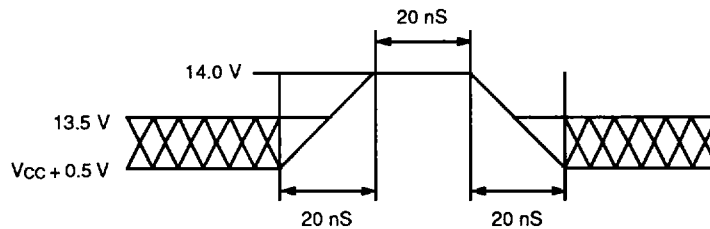
11561-009A

**Maximum Positive Input Overshoot**



11561-010A

**Maximum  $V_{pp}$  Overshoot**



11561-011A

**DC CHARACTERISTICS** over operating range unless otherwise specified (for APL Products, Group A, Subgroups 1, 2, 3, 7 and 8 are tested unless otherwise noted)  
(Notes 1–3)

**DC CHARACTERISTICS-TTL/NMOS COMPATIBLE**

Parameter Symbol	Parameter Description	Test Conditions	Min.	Max.	Unit
I <sub>LI</sub>	Input Leakage Current	V <sub>CC</sub> - V <sub>CC</sub> Max., V <sub>IN</sub> = V <sub>CC</sub> or V <sub>SS</sub>		+1.0	μA
I <sub>LO</sub>	Output Leakage Current	V <sub>CC</sub> - V <sub>CC</sub> Max., V <sub>OUT</sub> = V <sub>CC</sub> or V <sub>SS</sub>		+1.0	μA
I <sub>CCS</sub>	V <sub>CC</sub> Standby Current	V <sub>CC</sub> - V <sub>CC</sub> Max. $\overline{CE} = V_{IH}$		1.0	mA
I <sub>CC1</sub>	V <sub>CC</sub> Active Read Current	V <sub>CC</sub> - V <sub>CC</sub> Max., $\overline{CE} = V_{IL}$ , $\overline{OE} = V_{IH}$ I <sub>OUT</sub> = 0 mA, at 6 MHz		30	mA
I <sub>CC2</sub>	V <sub>CC</sub> Programming Current	$\overline{CE} = V_{IL}$ Programming in Progress		30	mA
I <sub>CC3</sub>	V <sub>CC</sub> Erase Current	$\overline{CE} = V_{IL}$ Erasure in Progress		30	mA
I <sub>PPS</sub>	V <sub>PP</sub> Standby Current	V <sub>PP</sub> = V <sub>PP</sub> L		+1.0	μA
I <sub>PP1</sub>	V <sub>PP</sub> Read Current	V <sub>PP</sub> = V <sub>PP</sub> H		200	μA
		V <sub>PP</sub> = V <sub>PP</sub> L		+1.0	
I <sub>PP2</sub>	V <sub>PP</sub> Programming Current	V <sub>PP</sub> = V <sub>PP</sub> H Programming in Progress		30	mA
I <sub>PP3</sub>	V <sub>PP</sub> Erase Current	V <sub>PP</sub> = V <sub>PP</sub> H Erasure in Progress		30	mA
V <sub>IL</sub>	Input Low Voltage		-0.5	0.8	V
V <sub>IH</sub>	Input High Voltage		2.0	V <sub>CC</sub> + 0.5	V
V <sub>OL</sub>	Output Low Voltage	I <sub>OL</sub> = 5.8 mA V <sub>CC</sub> - V <sub>CC</sub> Min.		0.45	V
V <sub>OH1</sub>	Output High Voltage	I <sub>OH</sub> = -2.5 mA V <sub>CC</sub> - V <sub>CC</sub> Min.	2.4		V
V <sub>ID</sub>	A <sub>9</sub> Auto Select Voltage	A <sub>9</sub> = V <sub>ID</sub>	11.5	13.0	V
I <sub>ID</sub>	A <sub>9</sub> Auto Select Current	A <sub>9</sub> = V <sub>ID</sub> Max. V <sub>CC</sub> - V <sub>CC</sub> Max.		35	μA
V <sub>PP</sub> L	V <sub>PP</sub> during Read-Only Operations	<b>Note:</b> Erase/Program are inhibited when V <sub>PP</sub> = V <sub>PP</sub> L	0.0	V <sub>CC</sub> +2.0	V
V <sub>PP</sub> H	V <sub>PP</sub> during Read/Write Operations		11.4	12.6	V
V <sub>LKO</sub>	Low V <sub>CC</sub> Lock-out Voltage		3.2		V

## DC CHARACTERISTICS-CMOS COMPATIBLE

Parameter Symbol	Parameter Description	Test Conditions	Min.	Max.	Unit
I <sub>LI</sub>	Input Leakage Current	V <sub>CC</sub> - V <sub>CC</sub> Max., V <sub>IN</sub> = V <sub>CC</sub> or V <sub>SS</sub>		+ 1.0	μA
I <sub>LO</sub>	Output Leakage Current	V <sub>CC</sub> - V <sub>CC</sub> Max., V <sub>OUT</sub> = V <sub>CC</sub> or V <sub>SS</sub>		+ 1.0	μA
I <sub>CCS</sub>	V <sub>CC</sub> Standby Current	V <sub>CC</sub> - V <sub>CC</sub> Max. $\overline{CE} = V_{CC} \pm 0.5 V$		100	μA
I <sub>CC1</sub>	V <sub>CC</sub> Active Read Current	V <sub>CC</sub> - V <sub>CC</sub> Max., $\overline{CE} = V_{IL}$ , $\overline{OE} = V_{IH}$ I <sub>OUT</sub> = 0 mA, at 6 MHz		30	mA
I <sub>CC2</sub>	V <sub>CC</sub> Programming Current	$\overline{CE} = V_{IL}$ Programming in Progress		30	mA
I <sub>CC3</sub>	V <sub>CC</sub> Erase Current	$\overline{CE} = V_{IL}$ Erasure in Progress		30	mA
I <sub>PPS</sub>	V <sub>PP</sub> Standby Current	V <sub>PP</sub> = V <sub>PPL</sub>		+ 1.0	μA
I <sub>PP1</sub>	V <sub>PP</sub> Read Current	V <sub>PP</sub> = V <sub>PPH</sub>		200	μA
I <sub>PP2</sub>	V <sub>PP</sub> Programming Current	V <sub>PP</sub> = V <sub>PPH</sub> Programming in Progress		30	mA
I <sub>PP3</sub>	V <sub>PP</sub> Erase Current	V <sub>PP</sub> = V <sub>PPH</sub> Erasure in Progress		30	mA
V <sub>IL</sub>	Input Low Voltage		-0.5	0.8	V
V <sub>IH</sub>	Input High Voltage		0.7 V <sub>CC</sub>	V <sub>CC</sub> + 0.5	V
V <sub>OL</sub>	Output Low Voltage	I <sub>OL</sub> = 5.8 mA V <sub>CC</sub> - V <sub>CC</sub> Min.		0.45	V
V <sub>OH1</sub>	Output High Voltage	I <sub>OH</sub> = -2.5 mA, V <sub>CC</sub> - V <sub>CC</sub> Min.	0.85 V <sub>CC</sub>		V
V <sub>OH2</sub>		I <sub>OH</sub> = -100 μA, V <sub>CC</sub> - V <sub>CC</sub> Min.	V <sub>CC</sub> -0.4		
V <sub>ID</sub>	A <sub>9</sub> Auto Select Voltage	A <sub>9</sub> = V <sub>ID</sub>	11.5	13.0	V
I <sub>ID</sub>	A <sub>9</sub> Auto Select Current	A <sub>9</sub> = V <sub>ID</sub> Max. V <sub>CC</sub> - V <sub>CC</sub> Max.		35	μA
V <sub>PPL</sub>	V <sub>PP</sub> during Read-Only Operations	<b>Note:</b> Erase/ Program are inhibited when V <sub>PP</sub> = V <sub>PPL</sub>	0.0	V <sub>CC</sub> + 2.0	V
V <sub>PPH</sub>	V <sub>PP</sub> during Read/Write Operations		11.4	12.6	V
V <sub>LKO</sub>	Low V <sub>CC</sub> Lock-out Voltage		3.2		V

## Notes:

1. **Caution:** the Am28F020 must not be removed from (or inserted into) a socket when V<sub>CC</sub> or V<sub>PP</sub> is applied.
2. I<sub>CC1</sub> is tested with  $\overline{OE} = V_{IH}$  to simulate open outputs.
3. Maximum active power usage is the sum of I<sub>CC</sub> and I<sub>PP</sub>.

**PIN CAPACITANCE**

Parameter Symbol	Parameter Description	Test Conditions	Typ.	Max.	Unit
C <sub>IN</sub>	Input Capacitance	V <sub>IN</sub> = 0	8	10	pF
C <sub>OUT</sub>	Output Capacitance	V <sub>OUT</sub> = 0	8	12	pF
C <sub>IN2</sub>	V <sub>PP</sub> Input Capacitance	V <sub>PP</sub> = 0	8	12	pF

**Notes:**

1. Sampled, not 100% tested.
2. Test conditions T<sub>A</sub> = 25°C, f = 1.0 MHz

**SWITCHING CHARACTERISTICS over operating range unless otherwise specified****AC CHARACTERISTICS—Read Only Operation (Notes 1– 2)**

Parameter Symbols		Parameter Description		Am28F020				Unit
JEDEC	Standard			-90 -95	-120	-150	-200	
t <sub>AVAV</sub>	trc	Read Cycle Time	Min. Max.	90	120	150	200	ns
t <sub>ELQV</sub>	t <sub>CE</sub>	Chip Enable Access Time	Min. Max.	90	120	150	200	ns
t <sub>AVQV</sub>	t <sub>ACC</sub>	Address Access Time	Min. Max.	90	120	150	200	ns
t <sub>GLQV</sub>	t <sub>OE</sub>	Output Enable Access Time	Min. Max.	35	50	75	75	ns
t <sub>ELOX</sub>	t <sub>LZ</sub>	Chip Enable to Output in Low Z	Min. Max.	0	0	0	0	ns
t <sub>EHQZ</sub>	t <sub>DF</sub>	Chip Disable to Output in High Z	Min. Max.	20	30	35	35	ns
t <sub>GLQX</sub>	t <sub>OLZ</sub>	Output Enable to Output in Low Z	Min. Max.	0	0	0	0	ns
t <sub>GHQZ</sub>	t <sub>DF</sub>	Output Disable to Output in High Z	Min. Max.	20	30	35	35	ns
t <sub>AXQX</sub>	t <sub>OH</sub>	Output Hold from first of Address, $\overline{CE}$ , or $\overline{OE}$ Change	Min. Max.	0	0	0	0	ns
t <sub>WHGL</sub>		Write Recovery Time before Read	Min. Max.	6	6	6	6	μs
t <sub>VCS</sub>		V <sub>CC</sub> Set-up Time to Valid Read	Min. Max.	50	50	50	50	μs

**Notes:**

1. Output Load (except Am28F020-95): 1 TTL gate and C<sub>L</sub> = 100 pF, Input Rise and Fall Times: ≤ 10 ns, Input Pulse levels: 0.45 to 2.4 V, Timing Measurement Reference Level - Inputs: 0.8 V and 2 V  
Outputs: 0.8 V and 2 V
2. The Am28F020-95 Output Load: 1 TTL gate and C<sub>L</sub> = 30 pF  
Input Rise and Fall Times: ≤ 10 ns  
Input Pulse levels: 0 to 3 V  
Timing Measurement Reference Level: 1.5 V inputs and outputs.
3. t<sub>VCS</sub> is guaranteed by design not tested.

**AC CHARACTERISTICS—Write/Erase/Program Operations (Notes 1– 4)**

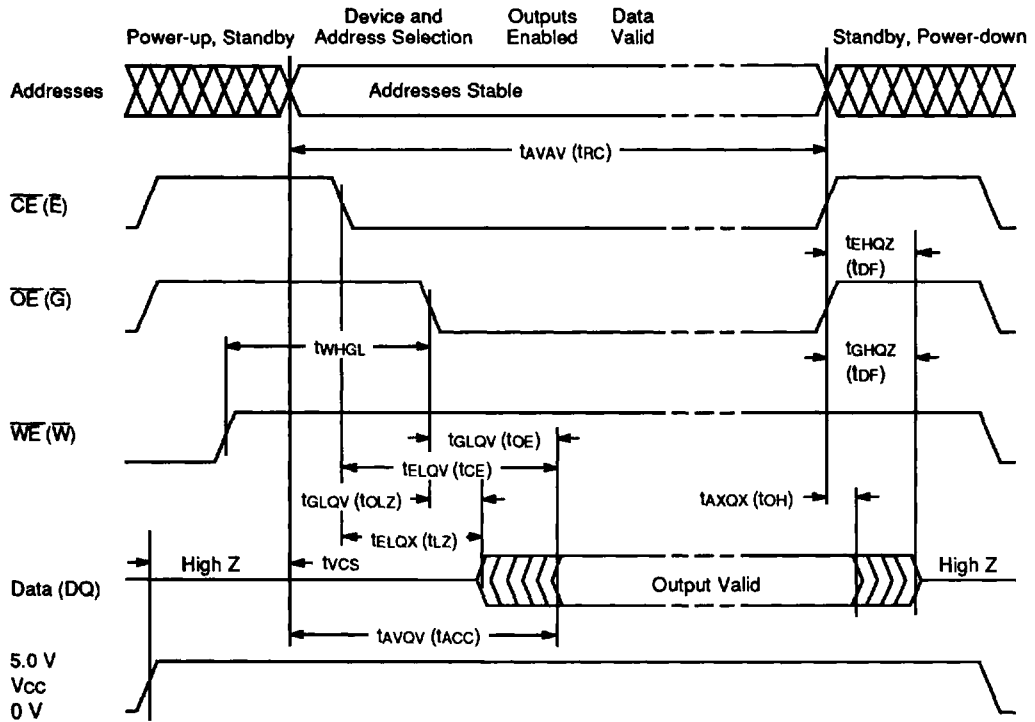
Parameter Symbols		Parameter Description		Am28F020				Unit
JEDEC	Standard			-90 -95	-120 —	-150 —	-200 —	
tAVAV	tWC	Write Cycle Time	Min. Max.	90	120	150	200	ns
tAVWL	tAS	Address Set-Up Time	Min. Max.	0	0	0	0	ns
tWLAX	tAH	Address Hold Time	Min. Max.	45	50	60	75	ns
tDVWH	tDS	Data Set-Up Time	Min. Max.	45	50	60	60	ns
tWHDX	tDH	Data Hold Time	Min. Max.	10	10	10	10	ns
tOEH		Output Enable Hold Time for Embedded™ Algorithm only	Min. Max.	10	10	10	10	ns
tWHGL	tWR	Write Recovery Time before Read	Min. Max.	6	6	6	6	μs
tGHWL		Read Recovery Time before Write	Min. Max.	0	0	0	0	μs
tELWL	tCS	Chip Enable Set-Up Time	Min. Max.	0	0	0	0	ns
tWHEH	tCH	Chip Enable Hold Time	Min. Max.	0	0	0	0	ns
tWLWH	tWP	Write Pulse Width	Min. Max.	45	50	50	50	ns
tWHWL	tWPH	Write Pulse Width HIGH	Min. Max.	20	20	20	20	ns
tWHWH1		Duration of Programming Operation	Min. Max.	10 25	10 25	10 25	10 25	μs
tWHWH2		Duration of Erase Operation	Min. Max.	9.5 10.5	9.5 10.5	9.5 10.5	9.5 10.5	ms
tWHWH3		Embedded™ Programming Operation (Note 5)	Min. Max.	16	16	16	16	μs
tWHWH4		Embedded™ Erase Operation	Min. Max.	9.5	9.5	9.5	9.5	ms
tEHVP		Chip Enable Set-Up Time to V <sub>PP</sub> Ramp	Min. Max.	100	100	100	100	ns
tVPEL		V <sub>PP</sub> Set-Up Time to Chip Enable LOW	Min. Max.	100	100	100	100	ns
tVCS		V <sub>CC</sub> Set-Up Time to Chip Enable Low	Min. Max.	50	50	50	50	μs
tVPPR		V <sub>PP</sub> Rise Time 90% V <sub>PPH</sub>	Min. Max.	500	500	500	500	ns
tVPPF		V <sub>PP</sub> Fall Time 10% V <sub>PPL</sub>	Min. Max.	500	500	500	500	ns
tLKO		V <sub>CC</sub> < V <sub>LKO</sub> to Reset	Min. Max.	100	100	100	100	ns

\*See notes on following page.



**Notes:**

1. Read timing characteristics during read/write operations are the same as during read-only operations. Refer to AC Characteristics for Read Only operations.
2. Chip-Enable Controlled Writes: Write operations are driven by the valid combination of Chip-Enable and Write-Enable. In systems where Chip-Enable defines the Write Pulse Width (within a longer Write-Enable timing waveform) all set-up, hold and inactive Write-Enable times should be measured relative to the Chip-Enable waveform.
3. All devices except Am28F020-95. Input Rise and Fall times:  $\leq 10$  ns; Input Pulse Levels: 0.45 V to 2.4 V  
Timing Measurement Reference Level: Inputs: 0.8 V and 2.0 V; Outputs: 0.8 V and 2.0 V
4. Am28F020-95. Input Rise and Fall times:  $\leq 10$  ns; Input Pulse Levels: 0.0 V to 3.0 V  
Timing Measurement Reference Level: Inputs and Outputs: 1.5 V
5. Embedded Program Operation of 16  $\mu$ s consists of 10  $\mu$ s program pulse and 6  $\mu$ s write recovery before read. This is the minimum time for one pass through the programming algorithm.



11561-013B

Figure 9. AC Waveforms for Read Operations

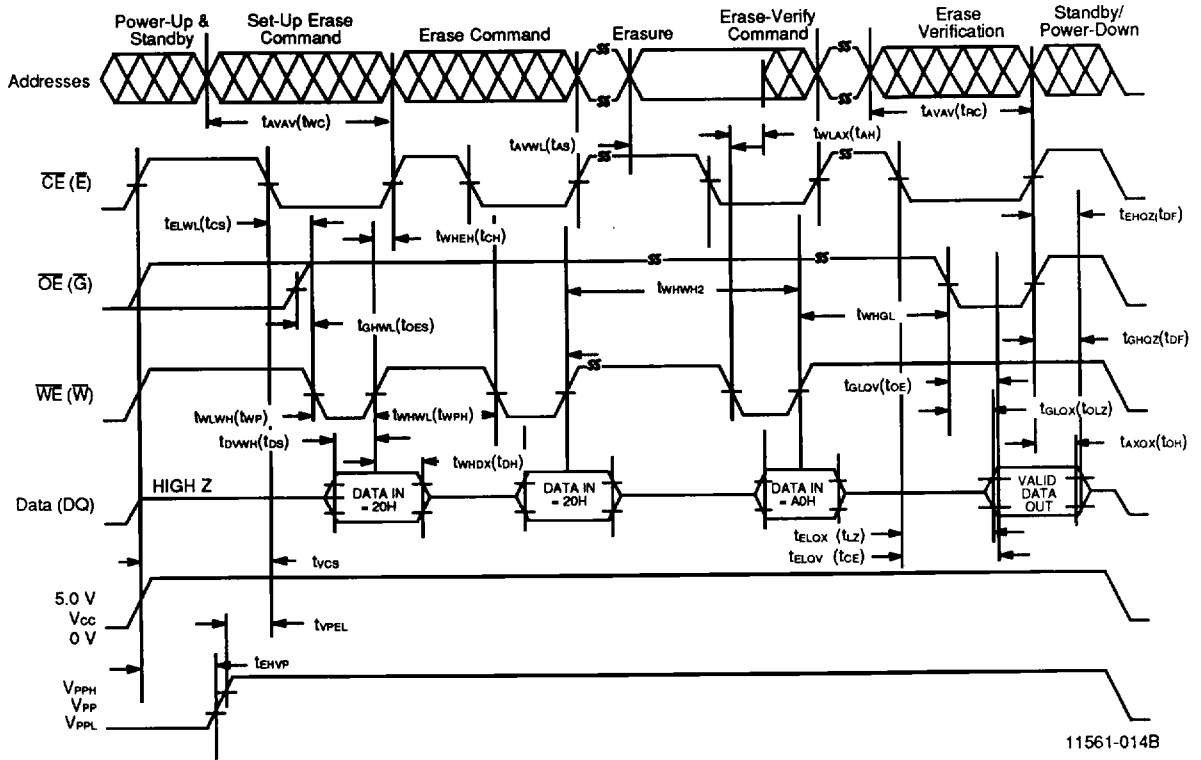
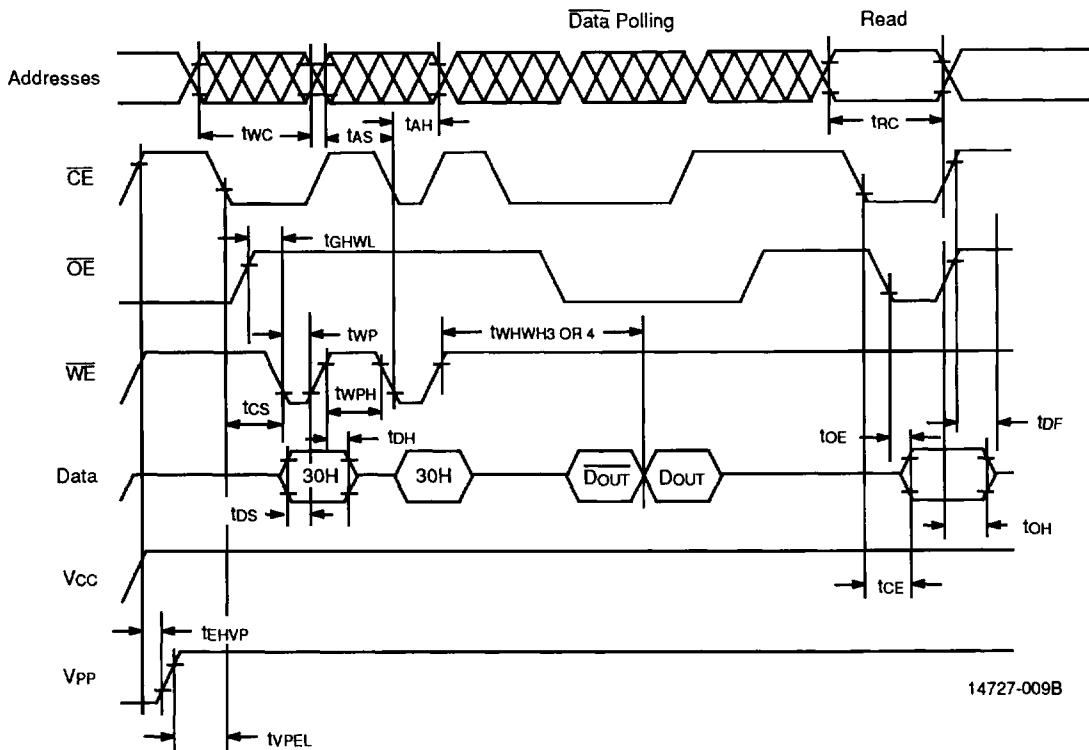


Figure 10. AC Waveforms for Erase Operations



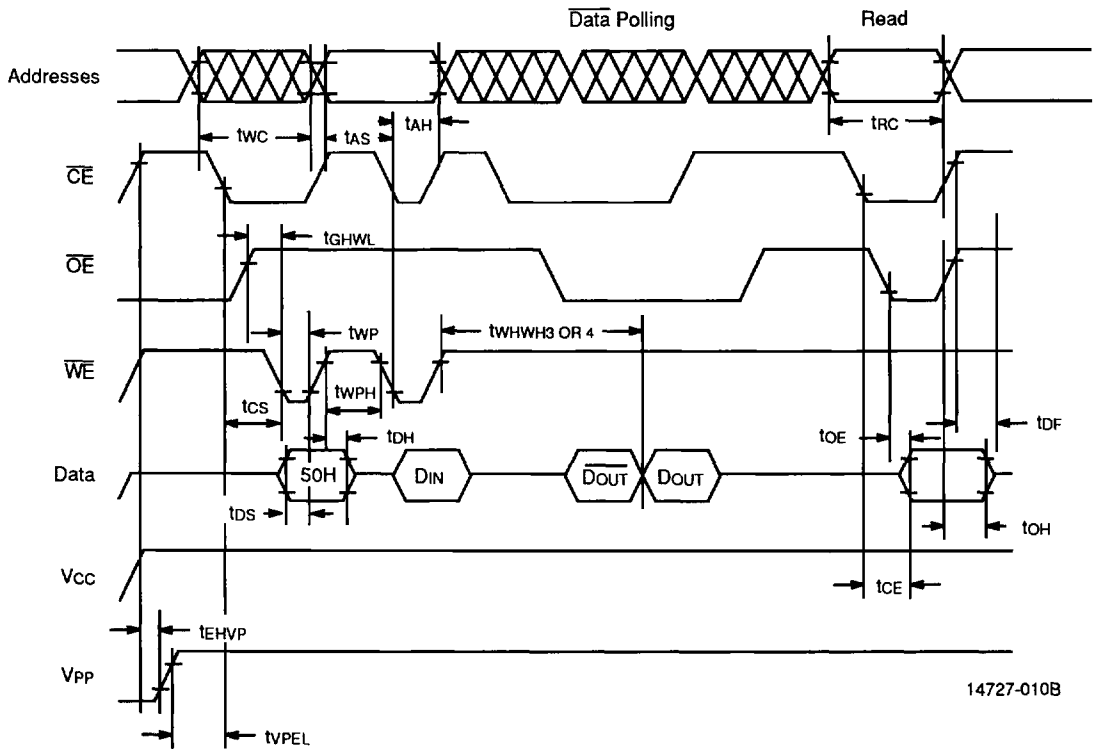


14727-009B

**Notes:**

1.  $\overline{DIN}$  is data input to the device.
2.  $\overline{DOUT}$  is the output of the complement of the data written to the device.
3. DOUT is the output of the data written to the device.

**Figure 12. AC Waveforms for Embedded Erase Operation**



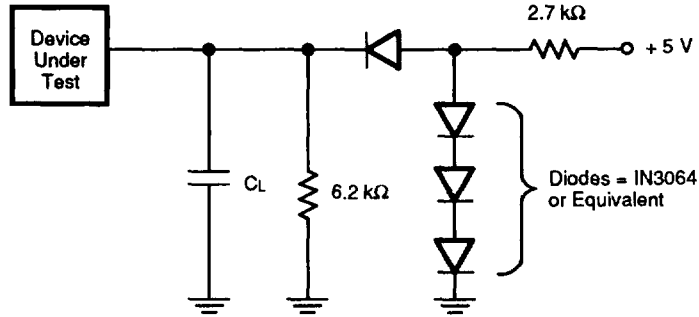
14727-010B

**Notes:**

1.  $D_{IN}$  is data input to the device.
2.  $\overline{DOUT}$  is the output of the complement of the data written to the device.
3.  $DOUT$  is the output of the data written to the device.

**Figure 13. AC Waveforms for Embedded Programming Operation**

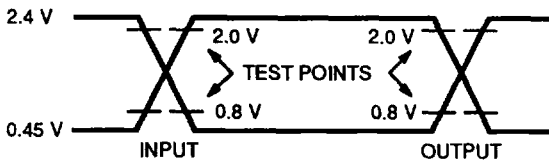
**SWITCHING TEST CIRCUIT**



11561-012A

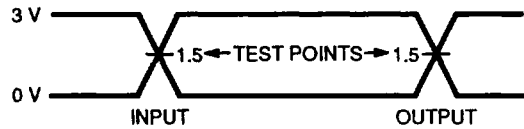
$C_L = 100 \text{ pF}$  including jig capacitance (30 pF for Am28F020-95)

**SWITCHING TEST WAVEFORMS**



All Devices Except Am28F020-95

AC Testing: Inputs are driven at 2.4 V for a logic "1" and 0.45 V for a logic "0". Input pulse rise and fall times are  $\leq 10 \text{ ns}$ .



For Am28F020-95

AC Testing: Inputs are driven at 3.0 V for a logic "1" and 0 V for a logic "0". Input pulse rise and fall times are  $\leq 10 \text{ ns}$ .

08007-003A

**ERASE AND PROGRAMMING PERFORMANCE**

Parameter	Limits			Unit	Comments
	Min.	Typ.	Max.		
Chip Erase Time		2 (Note 1)	30 (Note 2)	S	Excludes 00H programming prior to erasure
Chip Programming Time		4 (Note 1)	48	S	Excludes system-level overhead
<b>Erase/Program Cycles</b>					
Am28F020-95C4JC	10,000			Cycles	
Am28F020-95C3JC	1,000			Cycles	

**Notes:**

- 25°C, 12V V<sub>PP</sub>
- The Embedded algorithm allows for 60 second erase time for military temperature range operations.

**LATCHUP CHARACTERISTICS**

	Min.	Max.
Input Voltage with respect to V <sub>SS</sub> on all pins except I/O pins (Including A <sub>9</sub> and V <sub>PP</sub> )	-1.0 V	13.5 V
Input Voltage with respect to V <sub>SS</sub> on all pins I/O pins	-1.0 V	V <sub>CC</sub> + 1.0 V
Current	-100 mA	+100 mA
Includes all pins except V <sub>CC</sub> . Test conditions: V <sub>CC</sub> = 5.0 V, one pin at a time.		